

# GSDCA-WDA TRIAL REGULATIONS

(Last updated August 2010)

- Part I. [General Part](#)
- Part II. [Helper Regulations](#)
- Part III. [Companion Dog Test \(BH\)](#)
- Part IV. [Schutzhund/Versatility Test For Working Dogs – SchH/VPG](#)
- Part V. [Tracking Dog Test](#)
- Part VI. [Rescue Dog - Suitability Test \(RTP\)](#)
- Part VII. [Trial Regulations For Watchdogs \(WH\)](#)
- Part VIII. [Trial Regulations For The Endurance Test - AD \(Ausdauerprüfung\)](#)

# GSDCA-WDA TRIAL REGULATIONS

## I. GENERAL PART

### General Abbreviations

AKZ	Ausbildungskennzeichen - Working Title
AZG	Arbeitsgemeinschaft der Zuchtvereine und Gebrauchshundeverbände - Joint work group of the breed clubs and working dog associations
AZG-MV	AZG-Mitgliedsvereine/-verbände - AZG Member Clubs/ Associations
FL	Fährtenleger -Tracklayer
HF	Hundeführer - Handler
HL	Helfer - Helper
HZ	Hörzeichen - Verbal Command
LR	Leistungsrichter - Performance Judge
PL	Prüfungsleiter - Trial Chairperson/Trial Secretary
PO	Prüfungsordnung - Trial Regulations
TSB	Triebveranlagung, Selbstsicherheit und Belastbarkeit - (instinctive behavior, self-confidence and the ability to cope with stress)
VDH	Verband für das Deutsche Hundewesen - German Kennel Club
SchH/VPG	Schutzhund/Vielseitigkeitsprüfung für Gebrauchshunde - SchH/Versatility Test for Working Dogs

**Note:** In order to simplify this text, the male short form is used. Naturally, everything contained in this text applies to the female gender as well.

### Validity

These trial regulations were drawn up by the Working Dog Committee (AZG) of the VDH and were approved and voted on by the VDH Board of Directors on August 16, 2003. They will become effective on January 1, 2004 and will replace any previous regulations. These regulations became effective July 1, 2004 for the GSDCA-WDA.

Upon these rules taking effect, all previous rules cease to be valid.

### General Information

Trials and tournaments should serve two purposes. The first purpose is to determine a dog's suitability for a particular use by obtaining a title. The other purpose is to maintain or increase the health and working ability from generation to generation within the performance-breeding program. Furthermore, they serve the purpose of maintaining good health and fitness. A working title is also considered proof of a dog's suitability for breeding.

All trials and tournaments are subject to the principles of good sportsmanship regarding the hosting of events and the conduct of the participants. The trial regulations stated in these guidelines are binding for all parties involved. All participants must comply with the same performance requirements. The events are open to the public. The membership must be informed publicly of the location and the time the event starts.

Trials are held only on Friday, Saturday or Sunday with exception for National Events or Special Attractions. Trials may also be held on Thursday and Friday in conjunction with a breed survey and show. The final authority for approval of all trial dates is the responsibility of the GSDCA-WDA Board of Directors.

Trials and tournaments must fulfill all trial levels or separate complete parts of a particular trial level. A valid training title is earned by successfully completing the attempted trial level. The training degrees are to be recognized by all GSDCA-WDA member organizations.

For events not of the nature of a trial, the regulations of each respective trial rules are valid.

Protection only events are not permitted including events in which only phase "C" of the Schutzhund/Versatility Test is conducted.

### **Trial Season**

Trials can be held throughout the entire year if weather permits and the health and safety of people and animals are not put at risk. Otherwise, the event cannot be held. The trial judge makes this decision.

### **Trial Organization, Trial Chairperson and Trial Secretary**

The trial chairperson is responsible for organizing the event. The trial chairperson handles or supervises all tasks necessary to prepare for and conduct a trial and insures that the trial is run in an orderly fashion and must be at the judge's disposal throughout the entire event.

The trial chairperson and trial secretary at all GSDCA/WDA sanctioned events must be a current member in good standing of the GSDCA-WDA.

The trial chairperson is not allowed to show a dog or take on other duties and is responsible for:

- Obtaining all necessary event authorizations.
- Providing suitable (in accordance with the trial regulations) tracking fields for all trial levels.
- Making arrangements with the owners of the tracking fields and persons who may have acquired hunting right for this property.
- Getting experienced volunteers. For example: Helpers for the protection phase, tracklayers, people for the group, etc.
- Securing the trial date, authorized judge and trial site which conforms to these regulations. Note: SV Judge Releases – Event applications requesting SV judges must be submitted at least 6 weeks prior to the event date. No exceptions. Applications after the 6-week time frame cannot be processed. Event Cancellations: The SV will not credit SV Judge Release fees already charged to the GSDCA/WDA. Therefore, GSDCA-WDA cannot reimburse or credit clubs the fee.
- No club shall use the same judge until a minimum of one year passes between assignments.
- Providing all necessary trial equipment (in accordance with the trial regulations) and proper protective clothing for the helpers.
- Maintaining order and safety of the entire trial grounds and any other grounds or facility used for trial or trial function.
- The trial chairperson must inform the judge at least three days prior to the event of the location of the trial, the time the trial starts, directions to the trial site, type of examinations and number of dogs entered. If the trial chairperson fails to provide the judge with this information, the judge has the right to withdraw from his/her commitment.

The Trial secretary is not allowed to show a dog or take on other duties and is responsible for:

- A four week advance notice containing the following must be submitted to the Regional Director for dissemination to the local clubs within the region, posting on the Regional Website and the GSDCA-WDA Office for posting on the GSDCA-WDA website.
  1. Dates of event
  2. Physical location including: proper name, street number, street name, city and zip code for all phases of the event except tracking. For tracking, the physical location of a meeting place to caravan to the tracking fields must be posted.
  3. Judge(s)
- Entry Forms – GSDCA-WDA official entry forms must be used. This entry form contains the required Release Statement and Waiver of Liability that must be signed by the owner of the dog being entered

or the agent duly authorized by the owner to make the entry. Member Clubs may personalize these forms provided the information duplicates the GSDCA-WDA official entry form.

- The original completed entry forms must be sent to the GSDCA-WDA Office along with the event paperwork for recording within 10 days of the event. The club retains a copy for the club's files. GSDCA-WDA official entry forms are available from the GSDCA-WDA Office. Clubs submitting paperwork outside the timeframe set by the organization shall be fined up to \$100 per day for each day over the timeframe. This is in addition to the current policy of the club being placed not in good standing.
- Providing forms, such as judge's score sheets and Bewertungslisten for all trial levels.
- Making available scorebooks, registration papers, proof of vaccination and, if necessary, proof of liability insurance. Note: When entering titles and awards in scorebooks and on the SV registration papers, you must spell out your club's name and include the event location. Club name abbreviations are not acceptable. Paperwork with abbreviations will be returned by the SV. It is suggested that you acquire a rubber stamp of the club's full name and your state.
- Clubs are required to acquire a signed waiver of liability from each participant in all of your events. This pertains primarily to club members, volunteers, judges, etc. Each club has to have waivers signed and retain with the records of the club's events. "WAIVER OF LIABILITY" for Club Members, Volunteers & Officials" is available through the GSDCA-WDA Office.
- The event authorization form must be presented to the judge prior to the start of the trial.

### **Trial Judges**

The officers of the hosting club are responsible for inviting a judge who is authorized to conduct SchH/ VPG trial examinations, or the judge is appointed according to the regulations of the GSDCA-WDA. For National Championships, trial judges shall be assigned by the GSDCA-WDA Board of Directors. The host club determines how many judges are requested. However, one judge may judge a maximum of thirty (30) individual parts per day. For major events scheduled by the GSDCA-WDA, the GSDCA-WDA can establish special regulations.

BH/VT with written general knowledge test	equals three parts
BH without written general knowledge test	equals two parts
SchHA/VPGA	equals two parts
SchH1/VPG1, SchH2/VPG2, SchH3/VPG3	equals three parts each
FH1, FH2	equals three parts per track
FPr /TR (Tracking Degree), level 1-3	equals one part each level
B/OB Degree (Obedience degree) Level 1-3	equals one part each level
StP, level 1-3 (Random Article Search)	equals one part each level
RTP (Rescue Dog Suitability Test)	equals two parts each level
WH (Watch Dogs)	

The judge is not permitted to evaluate dogs that are owned by him or that he has in his possession or in his keep.

The judge is not permitted to evaluate dogs that are owned by, in the possession of, or in the keep of a person living in the same household with him.

The judge is not allowed to evaluate dogs that are shown by a person living in the same household with him.

Judges may not judge trials for any GSDCA-WDA club until a minimum of one year passes between assignments.

Two separate clubs may submit applications to host two separate trials on different days of the same weekend with the same judge officiating at both.

Positive identification is required for all dogs participating in GSDCA-WDA performance events regardless of breed or proof of pedigree. Positive identification includes a legible tattoo or microchip. It is the owner's responsibility to provide the proper reader for his/her dog.

All dogs entered in GSDCA-WDA trials:

1.) Registered German Shepherd Dogs must have a GSDCA-WDA scorebook

or

2.) must have any of the following scorebooks which has been certified in advance by the GSDCA-WDA Office: WUSV or other FCI recognized club issued scorebook. Scorebooks for unregistered German Shepherd Dogs, other breeds and mix breeds are available through the GSDCA-WDA Office.

or

3.) To be eligible for entry all purebred, registered German Shepherd Dogs must be presented with original registration/pedigree documentation with positive identification certification.

For dogs with scorebooks which were not certified in advance by the GSDCA-WDA Office, German Shepherd Dogs that were born in the United States on or after January 1, 2005 must have their tattoo or microchip number certified on their original 4-generation AKC pedigree. Three-generation AKC pedigrees for German Shepherd Dogs born prior to January 1, 2005 will continue to be accepted for identification certification and for entry into GSDCA-WDA events. AKC pedigrees that have been tattoo or microchip certified by USCA will be accepted at all GSDCA-WDA events provided they meet the 3 or 4-generation requirement above.

(Blue, SV scorecards are valid only for mixed-breeds and unregistered dogs. These are not valid for entry of registered German Shepherd Dogs in GSDCA-WDA events. Owners of German Shepherds that are registered with the American Kennel Club, the Canadian Kennel Club or an FCI member organization should send such cards to the GSDCA-WDA Office along with a scorebook application. The title(s) on the blue scorecard will then be entered in the GSDCA-WDA scorebook. Note: the SV will recognize the GSDCA-WDA scorebook. The blue scorecard will be returned to the SV as per their request.)

Dogs over 6 years of age may be shown in the Veterans Class

A judge may judge no more than 15 GSDCA-WDA trials in a calendar year.

The judge is not permitted to evaluate dogs at a trial hosted by the club where he/she is a member with the exception of the BH and AD.

The performance judge is not permitted to distract or influence a dog's performance through his behavior. The judge is responsible for the compliance with and correct application of the valid trial regulations. The judge is entitled to terminate a trial if the trial is not conducted in compliance with the trial regulations and his instructions are ignored. In such a case the judge must submit a report to the GSDCA-WDA Board of Directors.

The judge is authorized to dismiss a dog from the trial, even without the handler's consent, if the dog is injured or exhibits diminished ability to perform, otherwise incapacitated. If a handler pulls a dog from a trial, the scorebook will be marked "Unsatisfactory – because of quitting". If a handler pulls his dog because of an obvious injury or a letter from a veterinarian is presented as proof, the scorebook will be marked "pulled due to illness" or "pulled due to injury". The judge is authorized to disqualify and dismiss a handler from the trial for unsportsmanlike conduct, carrying any type of motivational articles/objects (i.e. food, toy, etc. during a trial performance), violations against the trial regulations or animal protection laws and against good manners. In any case, an entry in the scorebook must be made for premature termination of the examination giving the reason for the premature dismissal from the trial. In case of a disqualification, no points earned are entered in the scorebook/all awarded points will be taken away.

The judge's decision is final and incontestable. Any form of criticism regarding the judge's evaluation or judge's decision can lead to dismissal from the trial and may eventually be followed by disciplinary actions. In justified cases, regarding a violation of the trial regulations by the judge and not a judge's decision based on facts, a complaint may be filed within eight days. The complaint must be submitted in writing, signed by the complainant and at least one witness, via the host club trial chairperson/secretary. No right of revision of the judge's decision derives from the acceptance of the complaint. The GSDCA-WDA Board of Directors is responsible for making a decision regarding the complaint.

### **Trial Participants**

The trial participants must meet the entry deadline for the trial event. Once the entry form has been submitted, the participant is obligated and agrees to pay the entry fee. In the event that the participant cannot participate in the trial for whatever reason, he/she must immediately contact the trial chairperson/secretary. The trial participant must comply with any local veterinary and animal protection regulations.

The use of any false information on any German Shepherd Dog entered in an authorized or sanctioned GSDCA-WDA event shall result in the banning of the German Shepherd Dog from all future events and the termination of the membership of the party or parties who falsified the information.

Trial participants must follow the instructions of the judge as well as those of the trial chairperson/ secretary.

At the beginning of the trial, each of the participants must, when called, with the dog either on leash or off lead in the basic position report to the officiating trial judge in a sportsman-like manner, and announce to the judge his name and the name of his dog. The participant must follow the instructions of the judge as well as those of the trial chairperson/secretary. The handler must show the dog in a sporty and correct manner. A handler must show his dog in all phases of the trial, regardless of the outcome in any one phase. The trial ends with the announcement of the final scores (award ceremony) and the handing-out of the scorebooks.

The handler must carry a leash throughout the entire trial. This includes that the dog must wear a simple, single-row, loose-fitting chain collar (fur saver) in the neutral position (dead ring) at all times. Any additional collars such as flea and tick-collars are not permitted during the trial. The collar may not have sharp points, prongs or other hooks. Leather, nylon, spike, pinch or remote training devices are not permitted in GSDCA/WDA sanctioned events. The leash must either be carried out of the dog's sight or the handler can put the leash over his shoulder from top left to bottom right.

Only for the BH Examination a chest harness is permitted. No additional buckles/clasps may be attached to the harness.

Verbal commands are brief orders given in a normal voice, consisting of one single word. The command may be given in any language. However, the same command must be used for the same task at all times. (This applies to all trial phases.)

A handler may not show more than three (3) dogs per sanctioned trial and may only participate in one trial per day.

***A dog may only participate in one level during a single trial (excluding AD). However, during a multi-day trial, a dog may participate in a BH on one day and, if successful, attempt a SchHI the next day.***

### **Physically Disabled Handlers**

Handlers who are physically disabled and as a result are unable to heel their dog on the left side, may heel the dog on their right side. In such a case, the trial regulations described rules for the heeling on the left side are analogous to the right side.

### **Muzzle Constraints**

Laws concerning the handling of dogs in public, issued by the Federal Government or by individual States, must be observed. Handlers and their dogs that fall under these restrictions may show the dog with a muzzle; for example during the traffic test of the BH/VT Examination.

### **Entry Requirements**

On the day of the trial the dog must have reached the required age. No exceptions are allowed.

Prerequisite for participation, in accordance with the national VDH Trial Regulations, is proof of a successfully completed Companion Dog Test, BH (Begleithund Examination) with Temperament Test (BH/VT).

BH/VT	15 months
FPr/TR 1-3 (Tracking Tests)	15 months
B/OB 1-3 (Obedience tests)	15 months
StP1-3 (Random Article Search)	15 months
AD	16 months
SchHA/VPGA	18 months
SchH1/VPG1	18 months
SchH2/VPG2	19 months
SchH3/VPG3	20 months
FH1	18 months
FH2	20 months
RTP (Rescue Dog Suitability Test)	15 months
WH	15 months

All dogs, regardless of their size, breed or proof of pedigree are allowed to participate in a trial. The dog must be able to fulfill the requirements of the SchH/VPG.

A dog may only be shown in one trial per day. A handler is only allowed to show in one trial per day.

A minimum of four (4) dogs is required. A single participant trial is not permitted.

Should an entered dog be unable to compete due to injury and is pulled, then the rules governing pulling a dog prevail and the trial is valid as if it had four dogs entered and present.

If an AD (Ausdauerpruefung) is scheduled in conjunction with a trial, it is left up to the judge's discretion whether or not to conduct the AD afterwards. The judge is under no obligation to do so.

Dogs that were previously entered in the trial may participate in the AD. The AD participants do not have to be added to the number of trial entries.

A dog may only participate in one level during a single trial (excluding the AD). However, during a multi-day trial, a dog may participate in a BH on one day, and if successful, attempt a SchH1 the next day. Each degree level can be repeated as many times as desired. The examination levels are to be completed in sequence (level 1-2-3). A dog may only be shown at the next higher level upon passing the previous lower level. To obtain a passing score, a minimum of 80 points must be achieved in phase "C". The age limit must be taken into consideration. The dog must always be shown in the highest degree it has earned. An exception can be made in trials that are not connected with a ranking process or qualification. Dogs over six (6) years of age may be shown in the Veterans class (Alterklasse). Once a dog is put in the Veterans class, the dog may only be shown at the trial level SchH1/VPG1, IPO1 and FH1.

Bitches in season may participate in all events. However, they must be kept apart from the rest of the participants. They are shown according to schedule in phase "A" of the trial, (*Explanation: Bitches in season are not required to go last in tracking. They will track according to draw number.*) In all other phases they will be placed at the end of the starting order. They will be shown at the end of the trial. Visibly pregnant or nursing females are excluded from a trial.

Sick and contagious animals are excluded from all events.

## Temperament Test

### General provisions

Prior to the start of any trial, preceding the start of the first examination phase, the dogs must undergo an impartiality test (temperament test) by the judge. Part of the temperament test is the identity-inspection (examination and verification of the tattoo number, microchip, etc.). Dogs that do not pass the temperament test are excluded from further participation in the trial and must be disqualified. Owners of dogs that are micro-chipped are responsible for providing the necessary equipment for the identity check of their dogs.

The judge will continue to evaluate the impartiality (temperament) of the dog throughout the entire trial. When detecting temperament faults, the judge is obligated to immediately disqualify the dog. An entry must be made in the scorebook, explaining the temperament fault. Dogs that were disqualified due to temperament faults must be reported in writing to the GSDCA-WDA.

### Conducting the Temperament Test

- The temperament test must be conducted under normal environmental conditions in a neutral location for the dog.
- Each and all participating dogs must be presented to the judge separately.
- The dogs must be presented to the judge on a regular leash. The leash must hang loosely.
- The judge must avoid any type of provocation. The judge is not allowed to touch the dog.

### Evaluation

- Positive response of the dog: During the examination the dog is (for example) to be neutral, self-confident, sure, energetic, impartial.
- Still acceptable borderline cases: The dog is (for example) somewhat unstable, slightly nervous, slightly insecure. Such dogs can still pass the temperament test but must be kept under close observation throughout the entire trial.
- Negative response of the dog or temperament faults: The dog is (for example) shy, insecure, nervous, gun-shy, gun-sensitive, out of control, bites, aggressive (disqualification).

### Scores

The performance is evaluated in ratings (qualification) and points. The ratings (qualification) and corresponding points must reflect the quality of the performance.

### Points

Maximum Points	Excellent (V)	Very Good (SG)	Good (G)	Satisfactory (B)	Insufficient (M)
5	5.0	4.5	4.0	3.5	3.0 - 0
10	10.0	9.5 - 9.0	8.5 - 8.0	7.5 - 7.0	6.5 - 0
15	15.0 - 14.5	14.0 - 13.5	13.0 - 12.0	11.5 - 10.5	10.0 - 0
20	20.0 - 19.5	19.0 - 18.0	17.5 - 16.0	15.5 - 14.0	13.5 - 0
30	30.0 - 29.0	28.5 - 27.0	26.5 - 24.0	23.5 - 21.0	20.5 - 0
35	35.0 - 33.0	32.5 - 31.5	31.0 - 28.0	27.5 - 24.5	24.0 - 0
70	70.0 - 66.5	66.0 - 63.0	62.5 - 56.0	55.5 - 49.0	48.5 - 0
80	80.0 - 76.0	75.5 - 72.0	71.5 - 64.0	63.5 - 56.0	55.5 - 0
100	100.0 - 96.0	95.5 - 90.0	89.5 - 80.0	79.5 - 70.0	69.5 - 0

## Percentages

Rating	Awarded Percentage	Deduction
<b>Excellent (V)</b>	= minimum 96%	or up to minus 4%
<b>Very good (SG)</b>	= 95 to 90%	or minus 5 to 10%
<b>Good (G)</b>	= 89 to 80%	or minus 11 to 20%
<b>Satisfactory (B)</b>	= 79 to 70 %	or minus 21 to 30%
<b>Insufficient (M)</b>	under 70%	or minus 31 to 100%

Only whole points shall be given in the overall rating of each complete phase. Partial points may be given for individual exercises. When adding the points upon completion of each phase and the end result does not consist of a whole number, the points awarded may be rounded up or down, depending on the overall impression of the trial phase.

In case of a tie, the highest score in phase “C” prevails. Should there still be a tie, the points in phase “B” determines the winner (the points in phase “B” shall prevail.) Scores that coincide in all three phases shall be listed as an equal placing.

### Disqualification

Should the judge notice temperament faults of the dog, unsportsmanlike conduct of the handler (for example: Alcohol consumption, carrying of motivational objects and/or food), offenses against the trial regulations, offenses against animal protection laws or offenses against the moral code, then the team is to be disqualified from the remainder of the trial.

All points given up to the time of disqualification will be taken away (this includes points given in other phases). No ratings (qualifications) or points are entered in the performance documentation.

If the dog not under control of the handler (for example: in the side or back-transport; the dog leaves the handler during the examination, or leaves the field and does not return to the handler upon receiving three (3) commands; the dog does not out or bites other parts of the helper’s body than the protective sleeve) the team is also disqualified from the remainder of the trial.

In this case all points awarded up to the time of disqualification in this particular phase will be taken away. No ratings (qualifications) or points are entered for this phase in the performance documentation.

### Evaluation

A degree can only be awarded if a dog achieves at least 70% of the total points in each phase of a trial. However, a dog may only be shown at the next higher level upon passing the previous lower level with a minimum of 80 points in phase “C”.

## Points

Maximum Points	Excellent (V)	Very Good (SG)	Good (G)	Satisfactory (B)	Insufficient (M)
<b>100</b>	100 - 96	95 - 90	89 - 80	79 - 70	69 - 0
<b>300</b>	300 - 286	285 - 270	269 - 240	239 - 210	209 - 0
<b>200 (VPG A)</b>	200 - 192	191 - 180	179 - 160	159 - 140	139 - 0

### Scorebooks

Each participating dog must have a scorebook. The scorebook is issued according to the regulations of the handler’s corresponding organization. Only one scorebook may be issued by the GSDCA-WDA per dog. The

trial results must be entered in the scorebook under any circumstances. The judge and, if there is a provision made in the scorebook, the trial secretary must check the entry and verify the entry with their signature.

### **Liability**

The owner of a dog is liable for any personal injury or material damage caused by his dog. Therefore, the owner must have adequate insurance. In case of an accident, the handler is liable for himself and his dog throughout the event. The handler follows the instructions given by the judge and the organizer on his own free will and executes the instructions on his own risk.

### **Vaccinations**

Before the start of the trial, at the request of the judge or the trial secretary, the handler must provide proof of proper vaccinations (vaccination certificate), required by law.

### **Trial Supervision**

The GSDCA-WDA is entitled to supervise the trials. The GSDCA-WDA can assign a knowledgeable person to oversee an event to make certain the event is properly conducted in accordance with the regulations stated in the GSDCA-WDA Trial Regulations.

### **“TSB” Evaluation**

The “TSB” evaluation should serve the purpose of describing a dog’s character traits in regards to breeding suitability. The “TSB” rating neither influences the trial result nor does it influence the ranking. A dog must complete at least one defense exercise to receive a “TSB” rating.

The ratings “pronounced” (“a”), “present” (“vh”) and “insufficient” (“ng”) describe the following characteristics: **Triebveranlagung** (instinctive behavior), **Selbstsicherheit** (self-confidence) and **Belastbarkeit** (the ability to cope with stress).

#### **TSB “pronounced”**

Is given to a dog that shows strong willingness to work, clear instinctive behavior, purposeful execution of the exercises, presents itself in a self-confident manner, pays undivided attention and has an extraordinarily high stress tolerance.

#### **TSB “present”**

Is given to a dog that has limitations concerning its willingness to work, instinctive behavior, self-confidence, attentiveness and stress tolerance.

#### **TSB “insufficient”**

Is given to a dog with insufficient willingness to work, insufficient instinctive behavior, missing self-confidence and insufficient ability to cope with stress; i.e. stress tolerance.

### **Rules of Discipline**

The event organizers or chairman is responsible for guaranteeing order and safety within the entire trial or event grounds.

The judge is authorized, in the case of failure to observe the rules or for safety reasons, to suspend or terminate the trial. The judge is entitled to interrupt or terminate the event if offenses against order or safety occur.

Gross violations by the handler against these regulations, against the trial rules, against the animal protection laws and against the rules of common decency can lead to expulsion from the trial.

In this case, the judge must deliver a report to the appropriate association/organization. Following this, a statement will be requested from the parties concerned, which can then lead to a decision about the disciplinary action.

Expulsions must be sanctioned by the corresponding committee of the GSDCA-WDA, as established in the bylaws. The GSDCA-WDA Office must be notified under any circumstance.

The exclusion of a person from the club/organization may be printed in the magazine published by the corresponding association/organization.

The judge's decision is incontestable. Any form of criticism regarding the judge's decision can lead to dismissal from the trial field and can eventually be followed by disciplinary actions. In justified cases, regarding a violation of the trial regulations by the judge and not a judge's decision based on facts, a complaint may be filed. The complaint must be submitted in writing to the corresponding body of the association/club. The complaint can only be submitted via the event organizer and must be signed by the complainant, the president of the club and one additional witness. The complaint must be submitted within eight (8) days after the event. No right of revision of the judge's decision derives from the acceptance of the complaint. Video recordings are not accepted as evidence.

### **Special Regulations**

The GSDCA-WDA is entitled to expand (modify) the general regulations within their domain. For example, entry regulations, veterinary requirements, first-aid regulations may be adjusted to differences in legislation within the country. Verbal commands may be given in the handler's native language.

## II. HELPER REGULATIONS

### Prerequisites for the use of a Helper in Phase C

1. The rules and guidelines in the Trial rules that apply to Helper work must be followed.
2. On the day of the trial the Helper is the assistant to the judge.
3. For the personal safety of the Helper, as well for insurance reasons, the Helper must wear protective clothing (consisting of protective pants, jacket and sleeve) in training sessions as well as in competition and trials.
4. The Helper must wear shoes that are suitable for the weather and ground conditions, i.e., they must provide good, safe footing.
5. Before the start of phase C the Helper will be instructed by the Judge. The Helper must follow those instructions.
6. During the disarming and body search phases the Helper must follow the Handler's indications insofar as permitted by the rules. He must give the Handler the opportunity to bring the dog into the basic position before beginning the side and back transport.
7. Club trials may be conducted with a single Helper. With seven (7) or more dogs in a single trial a second Helper should be used. In National events, i.e., trophy competition, qualification trials, championships, etc., at least two Helpers should generally be used. In all events, it is allowed to use a Helper who lives in the same household as one of the Handlers.
8. Helpers at all GSDCA-WDA sanctioned events must be current members of the GSDCA-WDA. A GSDCA-WDA Trial Helper Book is required for any helper work at a GSDCA-WDA sanctioned trial.
9. Helpers at Breed Surveys must be GSDCA-WDA Certified Helpers.
10. Helpers at Regional Trials must be GSDCA-WDA Certified Regional or National Trial Helpers.
11. Helpers at local Club Trials must be GSDCA-WDA Certified Club Trial Helpers.
12. Upon proof of status, a SV Certified Teaching Helper may work local Club Trials.

### Basic Rules Regarding the Conduct of Trial Helpers

#### 1. General

During a trial the level of training and qualities of the dogs being shown (e.g., drives, resilience, self-confidence, and controllability) is to be evaluated by the Judge. The Judge can evaluate this objectively by what is observed during a trial.

This aspect is above all dependent upon the sportsmanlike character of the trial, i.e., as far as possible equal conditions for all participants, so that the Helper must insure that the "picture" is not questionable.

Phase C must not be conducted according to the whims of the Helper. In fact, the Helper must follow a set of rules.

During a trial the Judge is to evaluate the most important criteria of the individual elements for Phase C. These include resilience, self-confidence, drives, and control. Included is the quality of the grip of each dog being shown. In order for this to be possible, the Helper must give each dog the opportunity to get a "good grip", or when the resilience is to be evaluated that the Helper "tests" the dog appropriately. The

goal is to have, insofar as possible, uniformity in the Helper work so that the demands are sufficient to permit an evaluation.

2. **Hold and bark (levels 1-3)**

The Helper stands in the appropriate blind, so as not to be visible to the Handler, with the sleeve arm slightly bent, motionless, and without any intimidating “body language”. The sleeve serves to protect the Helper’s body. During the “hold and bark” the Helper is to watch the dog but is to avoid giving help of any kind. The padded stick is to be held pointed downwards and to the side of the body.

3. **Hindering an attempted escape by the Helper (levels 1-3)**

Following the instructions from the Handler after the “hold and bark”, the Helper leaves the blind in a normal fashion and stands at a place determined by the Judge (the position marked for the escape). The position of the Helper must allow the Handler the possibility to place the dog in a down position at a distance of five (5) paces from the Helper on the “sleeve side”. It must be possible for the Handler to recognize in which direction the escape is to proceed.

At the Judge’s indication the Helper begins the escape, in a rapid fashion and in a straight line but without exaggerated and uncontrolled motion. The sleeve is not supposed to move in a separate motion so that the dog has the optimum opportunity to get a grip. During the escape the Helper is not to turn towards the dog but may watch the dog out of the corner of his eye. The Helper is not to move the sleeve away as the dog approaches. After the dog has gripped the sleeve the Helper is to continue running in a straight line, and while in motion, is to pull the sleeve tight against his body.

The Judge is to determine how far the Helper runs during the escape. At the Judge’s indication the Helper is to end the escape. If the escape is carried out with the appropriate action by the Helper, the Judge has an optimal opportunity to evaluate the exercise. The Helper is not to provide any help during the escape, e.g., exaggerated “offering” of the sleeve, verbally stimulating the dog or hitting the pants with the padded stick before or during the escape, lack of tension in the sleeve arm after the dog has gripped the sleeve, slowing the speed of the escape, ending the escape before the Judge’s indication, etc.

For the correct behavior for ending the escape see item 8 (valid for all levels).

4. **Defense against an attack from the guarding phase (level 1-3)**

After the guarding phase, and at the Judge’s indication, the Helper attacks the dog. In the process the padded stick will be waved threateningly over the sleeve but without striking the dog. In the same instant the Helper will move forward, without additional movement of the sleeve, with appropriate force. The sleeve is to be held against the Helper’s torso. After the dog has gripped the sleeve the Helper, using a sideways motion, is to drive the dog in a straight line. The Helper must drive all dogs in the same direction. The Judge is to choose a position so that it is possible to evaluate the behavior of all dogs during the response to the attack, including during the drive, the grip, the out, and the guarding phase. The Helper must not drive the dog towards the Handler.

“Stick hits” with the padded stick are to be placed on the dog’s shoulders in the vicinity of the wither. All dogs should be hit with the same intensity. The first “hit” is to be made during the drive after the helper has taken 4-5 steps and the hit after an additional 4-5 steps. After the “stick hit” the Helper should drive the dog further but without additional hits.

The Judge determines the duration of the driving phase. At the Judge’s indication the Helper stops the drive. If the attack is performed with the necessary energy from the Helper, the Judge has an optimal opportunity to evaluate the dog. Any help by the Helper, e.g., “feeding” the dog the sleeve before it grips, verbal agitation or hitting the leg of the protective pants with the padded stick before beginning the attack, holding the sleeve without tension while driving the dog, varying the intensity of the drive and stick hits, ending the drive before the Judge’s indication if the dog shows weakness, etc., is not permitted.

The procedure for ending the exercise is given in item 8 (valid for all levels).

5. **Back transport (levels 2 & 3)**

When directed by the Handler the Helper begins to walk, at a normal pace, for the back transport covering distance of approximately thirty (30) paces. The Judge determines the pattern to be followed. During the transport the Helper may not make any rapid movements. The padded stick and the sleeve are to be held so as not to provide any additional stimulation for the dog. In particular, the stick is to be held so that it is out of sight of the dog. The Helper should walk at the same speed for all dogs.

6. **Attack on the dog from the back transport (levels 2 & 3)**

At the Judge's indication an attack is performed from the back transport while the Helper is in motion. The attack is to be carried out by the Helper with a dynamic "about turn" either to the left or to the right, followed by a powerful forward motion in the direction of the dog. The padded stick is to be held above the sleeve and used to make threatening motions. The sleeve is to be held against the front of the Helper's body and additional sleeve motion is to be avoided. Once the dog has gripped the sleeve, the Helper while continuing the dog's motion should move the dog to the side and begin to drive the dog in a straight line. The Helper must drive all dogs in the same direction. The Judge must choose a position so as to be able to observe all dogs' reactions to the attack, the behavior during the driving phase, the nature of the grip, the "out" and the guarding phase for all dogs. The dog should not be driven towards the Handler.

The Judge determines the duration of the driving phase. At the Judge's indication the Helper stops the drive. If the drive is performed with the necessary energy, the Judge has an optimal opportunity to evaluate the dog. Any help by the Helper, e.g., moving too far sideways before the dog grips, "feeding" the dog the sleeve before the dog grips, verbal agitation or hitting the leg of the protective pants with the padded stick at the beginning of the attack, holding the sleeve without tension while driving the dog, varying the intensity during the drive, ending the drive before the Judge's indication if the dog shows weakness, etc., is not permitted.

The procedure for ending the exercise is given in point 8. (valid for all levels).

7. **Attack on the dog out of motion (levels 1-3)**

At the Judge's indication the Helper leaves the blind into which he has been directed and walks to the centerline of the field (runs in level 2 & 3) where he then

- Changes from a walk to a running pace and attacks the dog and Handler from the front while yelling and making threatening gestures with stick (level 1)
- Without breaking stride attacks the dog and Handler from the front while yelling and making threatening gestures with stick (level 2 & 3).

The Helper must "catch" the dog with flexibility in the sleeve position without coming to a stop. Whenever possible the Helper must rotate when catching the dog to absorb the momentum of the dog. In no case should the Helper run around the dog. Once the dog has gripped the sleeve the Helper while continuing the dog's motion, should move the dog to the side and begin to drive the dog in a straight line. The Helper must not "run over" the dog. The Helper must drive all dogs in the same direction. The Judge must choose a position that permits observation of all dogs' reactions to the attack, the behavior during the driving phase, the nature of the grip, the "out", and the guarding phase for all dogs. The dog should not be driven towards the Handler.

The Judge determines the duration of the driving phase. At the Judge's indication the Helper stops the drive. If the drive is performed with the necessary energy, the Judge has an optimal opportunity to evaluate the dog. Any help by the Helper, e.g., reducing the speed of the attack, stopping before catching the dog, moving too far sideways before the dog grips, running around the dog, "feeding" the dog the sleeve before the dog grips, holding the sleeve without tension while driving the dog, varying the intensity during the drive, ending the drive before the Judge's indication if the dog shows weakness, etc., is not permitted.

The procedure for ending the exercise is given in item 8 (valid for all levels).

8. **Ending the exercise (applies to all exercises)**

All exercises must be ended so that the Judge can observe the quality of the grip, the “out”, the guarding by the dog (the Helper’s back should not be to the Judge and the Helper should maintain eye contact with the Judge). After ending a defense exercise, the resistance against the dog is to be released, and the Helper is to avoid all stimulating motions but without relaxing the sleeve arm. The sleeve should not be carried high but remain in the same position as during the preceding exercise. The padded stick should be held next to the body, pointing downward, and out of sight of the dog. The Helper may not provide help to get the dog to “out”. After the dog releases, the Helper should maintain eye contact with the dog. No additional stimulation or help of any kind may be provided. If the dog circles while guarding, the Helper is allowed to turn slowly, without any sudden movements, in order to keep an eye on the dog.

9. **Insecurity and failure of the dog**

If the dog fails to grip during the defense exercise or releases during the drive, the Helper is to pressure the dog until the Judge ends the exercise. In such a situation the Helper may not provide help or end the exercise on his own. Dogs that will not out may not be helped to out by the Helper assuming a particular body posture or through motion by the padded stick. If the dog shows a tendency to leave during the guarding phase, the Helper may not provide stimulation to keep the dog close by. The Helper is to be either active or neutral, as prescribed by the trial rules, during all exercises and guarding phases. If the dog bumps or grips during a guarding phase, the Helper is to avoid moving.

### III. COMPANION DOG TEST (BH)

#### Temperament Test

Before the entered dogs are allowed to start the BH examination, they must undergo a temperament test. This includes the identity check during which the tattoo number or microchip number is examined. Dogs that cannot be identified are not eligible to be entered in a trial. The temperament of the dog is evaluated throughout the entire trial. Dogs that have already failed the temperament test are excluded from the rest of the trial. If a dog shows temperament faults during the trial, even though the dog passed the temperament test, the judge may expel the dog from the trial. The entry "Temperament Test/Behavior Evaluation not passed" will be made in the performance documents.

#### Scoring

Dogs that do not receive the necessary 70% of the total points in part A, cannot go on to the traffic part of the test, which is conducted in a public area. No scores according to points are given at the end of the examination. The judge merely announces the rating "pass" or "fail". The title is awarded if the dog receives at least 70% of the total points in part A and if the judge assesses the performance in part B as sufficient.

The awarded title is not a working title recognized for breeding, show, breed survey or exhibition purposes in accordance with the regulations of any VDH membership organization. There is no waiting period in between trials if the examination has to be repeated. Despite the outcome of the examination, the trial result must be entered in the corresponding performance documents.

#### A. BH-Examination at the Training Field - Total points 60

Each individual exercise begins and ends in the basic position. The dog sits in a straight position on the left side of the handler, whereas the dog's right shoulder blade is level with the handler's knee. It is permitted to obtain the basic position only once at the beginning of the exercise. The handler must attain the basic position in a sporty manner. It is not permitted to stand in a splay-legged stance. The final basic position of the previous exercise may be used as the basic position of the start of the next exercise. It is not permitted for the handler to use body-help; this will lead to point deductions. Carrying of motivational objects or toys is not permitted. If a handler is not capable to perform part of an exercise correctly due to a physical handicap, he must bring this to the judge's attention prior to the start of the examination. If a handler is unable to heel the dog on his left side due to a physical handicap, it is permissible to heel the dog on the handler's right side.

The judge gives the signal for the start of each exercise. Everything else, such as about turns, halts, changes of pace, etc. will be carried out without signals from the judge. However, the handler is allowed to request instructions from the judge.

It is permitted to praise the dog after each exercise is completed. After the handler has praised the dog, a new basic position can be attained. In between praising the dog and starting a new exercise, a distinct pause (about 3 seconds) is to be observed. The dog must be in a heeling position in between exercises.

##### 1) Heeling on leash (15 points) - Verbal command "Fuss" / "Heel"

Out of the basic position, the dog is to follow the handler happily on lead, upon receiving the verbal command "fuss"/"heel". The dog wears a commercially available collar or harness, which must be in accordance with the animal protection laws. The leash must be attached to the dead ring.

At the start of the exercise, the handler and his dog move out 40-50 paces in a straight direction, without stopping. After demonstrating the about turn and an additional 10-15 paces the handler shows the fast and slow pace, at least 10 paces each. Then, at a normal pace, at least one right turn, one left turn and one about turn are to be demonstrated. At all times, the dog must remain on the left side of the handler with the dog's shoulder blade level with the handler's knee. The dog may not forge, lag or heel wide. The handler must demonstrate the about turn as a left about turn.

The handler is permitted to use the verbal command "fuss"/"heel" only when starting from the basic position or when changing pace. When the handler stands still, the dog must sit immediately and

without help from the handler. The handler may not leave his basic position for this exercise; he is not permitted to move closer to the dog if the dog is sitting at a distance from the handler. The leash must be held in the left hand and must have slack in it. On instruction by the judge, the handler walks with his dog through a group that consists of at least four people. The handler must stop at least one time in the group. The group must be moving.

It is faulty if the dog is lagging, forging or heeling wide. Hesitant or slow turns on the handler's part are also faulty.

### **Group**

The heeling through a group of moving people is to be shown both on-leash and off-leash. The handler must heel the dog around at least two persons, once to the left and once to the right (e.g. describing a figure-eight). Each time the handler walks through the group he has to halt at least once near a person. The judge is entitled to ask the handler to repeat the exercise. The dog may be praised after the group exercise is completed, but only after attaining the final basic position.

### **About Turn (180 degrees)**

Two variations of the about turn are permissible. However, the about turn must always be shown as a left about turn. The dog may either circle around the handler from behind or demonstrate the about turn with the handler as a left turn (the dog stays on the left side of the handler).

#### **2) Free heeling (15 points) - Verbal command "Fuss"/"Heel"**

On a signal from the judge, the leash is taken off while the dog is in the basic position. The handler either puts the leash over his shoulder or puts it in his pocket (always on the opposite side of the dog) and immediately enters the group again with the free-heeling dog. Handler and dog must stop at least one time in the group. After handler and dog leave the group, the handler attains the basic position and begins the free-heeling exercise. The pattern is the same as described in Exercise 1.

#### **3) Sit out of motion (10 points) - Verbal command "Sitz"/"Sit"**

From the basic position the handler moves straight forward with his free-heeling dog. After a minimum of 10 paces, the handler gives the verbal command "sitz"/"sit" and the dog must sit quickly without the handler altering his pace or looking back at the dog. After another 30 paces, the handler stands still and immediately turns around to his dog. On a signal from the judge, the handler returns to his dog and attains the basic position on the dog's right side. If the dog does not remain in the sitting position but lies down or stands, 5 points will be deducted.

#### **4) Down with recall (10 points) - Verbal commands "Platz"/"Down", "Hier"/"Come", "Fuss"/"Heel"**

From the basic position the handler moves straight forward with his free-heeling dog. After a minimum of 10 paces, the handler gives the verbal command "platz"/"down" and the dog must lie down quickly. Without influencing the dog in any other form and without looking back at the dog, the handler moves on another 30 paces in a straight direction and then immediately turns around to face the dog and stands still. Upon a signal from the judge, the handler recalls the dog. The dog must return happily and at a fast pace to the handler and must come to a sit closely in front of him. Upon receiving the verbal command "fuss"/"heel", the dog must attain a sitting position at the handler's side. If the dog does not lie down but stands or sits, but the recall is without fault, 5 points are deducted.

#### **5) Long down under distraction (10 points) - Verbal commands "Platz"/"Down", "Sitz"/"Sit"**

Before the other dog starts the obedience exercise, the handler downs his dog with the verbal command "platz"/"down", out of the basic position, in a spot designated by the judge, without leaving the leash or any other object with the dog. The handler walks 30 paces away and remains there with his back turned toward the dog. During the long down, the dog must remain calmly in the designated spot. Upon a signal from the judge, the handler returns to the dog and attains position at the dog's right side. Upon another signal from the judge, the handler puts the dog in the basic position with the verbal

command “sitz”/“sit”. If the dog is restless while sitting, standing or lying down, partial points are given. A dog that gets up, sits up or removes itself by more than one body-length from the designated spot, has failed this exercise.

Restless behavior of the handler or other hidden handler-help is considered faulty.

Female dogs should be put in a separate spot from the males, if at all possible.

A dog that does not receive at least 70% (42 points) of the total points is excluded from the rest of the examination.

## **B. Testing in Traffic**

### **General provisions**

The exercises listed below are not conducted at the training field but in a suitable public place. The judge and the trial chairperson decide where and how the traffic exercises (public streets, walkways or squares) are conducted. Public traffic may not be disturbed.

Due to the uniqueness of the traffic test, it takes a significant amount of time to conduct this part of the examination. The performance requirements may not be lowered by superficially examining a large number of dogs.

No points are given for the individual exercises in part B. In order to pass this part of the examination the overall impression concerning the dog’s behavior in traffic and public places is important.

The exercises described below are examples and may be modified by the judge depending on the location in which the test is conducted. The judge is entitled to make dogs repeat exercises or to modify exercises, if he has any doubts regarding the evaluation of a dog.

### **Execution**

#### **1) Encounter with a group of people**

On the judge’s request, the handler and his dog walk along a designated stretch of the sidewalk. The dog is on a leash. The judge follows the team at an appropriate distance.

The dog should follow the handler willingly on the handler’s left side, on a loose leash with the dog’s shoulder blade level with the handler’s knee.

The dog must be indifferent toward pedestrians and bicyclists.

A passing pedestrian (a person that was signed up for this task) cuts off the handler. The dog must display neutral and unimpressed behavior.

Handler and dog continue to walk and approach a group of people. The group must consist of at least 6 people and the members of the group should not stand too close together. One of the persons in the group starts talking to the handler and greets him with a handshake. The handler gives the dog a command to either lie down or sit next to him. The dog must remain calm during the short conversation.

#### **2) Encounter with bicyclists**

The handler walks along a road/path with his dog on leash and a bicyclist passes him from behind. The bicyclist rings his bell while passing. In quite a distance, the bicyclist turns around and comes toward the handler and his dog. The bicyclist rings his bell again. The bicyclist must pass the handler and his dog in such a manner that the dog is located between the passing bicyclist and the handler.

The leashed dog must display a steady/indifferent behavior toward the bicyclist.

### **3) Encounter with cars**

The handler and his dog walk past several cars, with the dog on leash. The engine of one of the cars is started while the handler is walking by. The door of another car is slammed shut. As handler and dog walk on, a car stops next to them. The window is opened and the handler is asked for directions. The handler instructs the dog to either lie down or sit while this is going on.

The dog must remain calm and display indifferent behavior toward the cars and any traffic noises.

### **4) Encounter with joggers or inline-skaters**

The handler and his dog walk along a quiet road, with the dog on leash. At least two joggers pass him, without reducing their speed. Once the joggers are gone another jogger runs toward the handler and passes him without slowing down. It is not mandatory that the dog performs correct on-leash heeling. However, the dog may not bother the persons that are passing or coming toward him. It is permitted for the handler to put his dog in a down or a sit during the encounter.

Instead of the joggers, two inline-skaters may pass the handler and his dog and then turn around and come back.

### **5) Encounter with other dogs**

Another handler with his dog passes the dog/handler team, turns around and comes back. The dog must show a neutral behavior toward the other dog. The handler may repeat the verbal command “fuss”/“heel” or may put the dog in a down or sit during the encounter.

### **6) Behavior of the leashed dog toward other animals when left alone in traffic for a short period of time**

On the judge’s request, the handler walks with his dog along the sidewalk of a road with not too much traffic. The dog is on a leash. After walking a short distance, upon a signal from the judge, the handler ties the leash to a fence post or something similar. The handler moves out of the dog’s sight, for example inside a store or a house entrance.

The dog is permitted to stand, sit or lay down.

With the handler out of sight, a pedestrian (designated person) who is walking a dog on leash, walks by at a distance of approximately 5 paces to the dog that is to be examined.

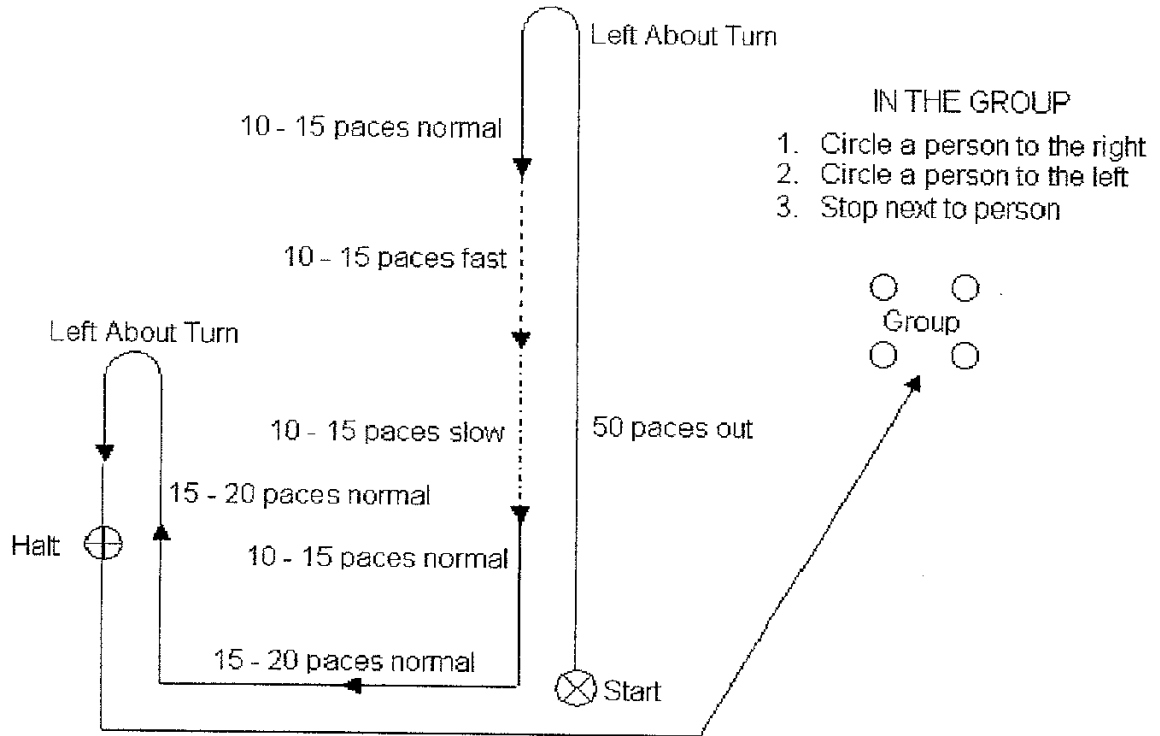
The dog must stay calm while the handler is gone. He must let the other dog (do not use a dog-aggressive animal) pass by without showing aggressive behavior (e.g. heavy pulling on the leash, continuous barking). Upon a signal from the judge, the handler picks up his dog.

#### **Note:**

It is up to the judge’s discretion whether he lets each individual dog perform each exercise in each location or if he lets all dogs that are to be evaluated perform a selection of the exercises and then moves on to the next location and continues there with the examination in the same manner.

# The Required Trial Heeling Pattern

Pattern may be worked with the turns in the opposite direction



#### IV. SCHUTZHUND/VERSATILITY TEST FOR WORKING DOGS – SchH/VPG

##### SchH/VPG A

Maximum points 200

Minimum age requirement: 18 months

Prerequisites: Proof of prior achievement of the BH title must be presented

The SchH/VPG A examination consists only of phase B (obedience) and phase C (protection), which are part of the SchH/VPG1 examination. Tracking work is not performed in this examination.

The title awarded is not a recognized working title for show, breeding and breed survey purposes.

Maximum points	Excellent (V)	Very Good (SG)	Good (G)	Satisfactory (B)	Insufficient (U)
200 points	191-200	180-190	160-179	140-159	0-139

Maximum Points	Excellent (V)	Very Good (SG)	Good (G)	Satisfactory (B)	Insufficient (U)
100 Points	96-100	90-95	80-90	70-79	0-69

##### Tracking Examination, level 1 - 3 (FPr/TR 1-3)

Minimum age requirement: 15 months

The tracking examination level 1 through 3 consists only of phase “A” of the SchH/VPG examination level 1 through 3. This type of examination may be offered as part of a trial in order to increase the number of participants, if at least four (4) participants are entered at the trial level BH-VT, SchH/VPG/IPO or FH.

The title awarded is not a recognized title for show, breeding and breed survey purposes.

Maximum Points	Excellent (V)	Very Good (SG)	Good (G)	Satisfactory (B)	Insufficient (U)
100 Points	96 - 100	90 - 95	80 - 90	70 - 79	0 - 69

##### Obedience Examination 1 – 3 (B/OB 1-3)

Minimum age requirement: 15 months

The OB1- 3 examination consist only of phase “B” of the SchH/VPG examination level 1 through 3. This type of examination my be offered as part of a trial in order to increase the number of participants, if at least four (4) participants are entered at the trial level BH-VT, SchH/VPG/IPO or FH.

The title awarded is not a recognized title for show, breeding and breed survey purposes.

##### SchH/VPG 1

Schutzhund/Versatility Test for Working Dogs, level 1 (SchH/VPG1)

Is divided into: Phase A 100 points  
Phase B 100 points  
Phase C 100 points  
Total: 300 points

##### SchH/VPG 1 Phase A

The track is laid by the handler, minimum of 300 paces, 3 legs, 2 corners (approximately 90 degrees), 2 articles that belong to the handler, must age for at least 20 minutes, allotted time to complete the track is 15 minutes.

Staying on the track: 80 points  
Articles (10+10) 20 points  
Total 100 points

## **General regulations**

The judge or the person in charge of tracking determines the course of the track, based upon the layout of the terrain. Varying patterns must be used for the tracks. It is not permitted that the articles and corners on each track are placed at the same distance from each other. The start must be clearly marked with a sign, placed in the ground directly to the left of the scent pad.

The judge conducts a draw for the start order.

The handler (= tracklayer) must show the tracking articles to the judge or the person in charge of tracking, prior to laying the track. Only well-scented articles (scented by the handler for at least 30 minutes) may be used. The handler (= tracklayer) remains for a brief moment on the scent pad and then proceeds at a normal pace in the direction prescribed by the judge. The corners are likewise to be laid at a normal pace. The first article is placed on the track after a minimum of 100 paces on the first or second leg. The second article is placed at the end of the track. The articles are to be laid on the track while the tracklayer is in motion. After placing the last article at the end of the track, the tracklayer must proceed to walk straight ahead for a few more paces. Different types of articles are to be used on the same track (materials: e.g. leather, fabric, wood). The size of the articles may not exceed 10 cm (4") in length, 2-3 cm (3/4" – 1 1/4") in width and 0.5-1 cm ( 3/16"-3/8") in thickness. Their color may not stand out considerably from the terrain. The dog must remain out of sight while the track is laid.

While the dog is tracking, the judge and any accompanying persons are not permitted in the area of the track where the team (handler and dog) has the right to track.

## **Verbal commands - "Such" / "Seek"**

The verbal command is permitted at the start and after the first article.

## **Execution**

The handler prepares the dog for tracking. The dog may track off lead or on a 10 meter (33') tracking line. While tracking, the 10 m tracking line may be placed across the back, on the side or between the front and/or hindquarters of the dog. The tracking line may be attached directly to the collar, on the dead ring, or to the tracking harness. The following types of tracking harnesses are permitted: breast-harness or Böttger-harness without any additional straps. When called, the handler will report to the judge with the dog in the basic position. The handler will inform the judge whether the dog will pick up or indicate the articles. Any compulsion is to be avoided prior to tracking, at the start and during the entire track. Upon a signal from the judge, the dog is taken slowly and calmly to the starting point and is set onto the track. The dog is to take the scent at the start calmly and intensely, with a deep nose. The dog must then proceed to track with a deep nose, maintaining a steady pace. The handler follows his dog at a distance of 10 m at the end of the tracking line. When tracking off lead a distance of 10 m must be maintained as well. A certain amount of slack in the line is permissible, as long as the handler keeps the tracking line in his hand. The dog must work out corners confidently. After working out a corner the dog must continue to track at his regular pace. As soon as the dog reaches an article he must immediately pick-up or indicate the article in a convincing manner, without help from the handler. The dog is permitted to stand, sit or return to the handler when picking-up an article. Moving forward with the article or picking-up the article while lying down is faulty. Indication of the articles may be done by standing, sitting or laying down. It is permitted to alternate. As soon as the dog has indicated or picked up an article, the handler must put down the tracking line and go to his dog. By raising the arm with the article in his hand, the handler shows that the dog has found the article. Then the handler picks up the tracking line and continues to work out the track with his dog. Upon completion of the track, the handler must show the articles that were found to the judge.

## **Evaluation**

The speed in which the track is worked out does not influence the score, as long as the track is worked out intensely, uniformly and convincingly and the dog shows a positive tracking attitude. A dog's checking is not faulty, as long as the dog does not leave the track. Aimless wandering, a high nose, urination/ defecation, circling at the corners, continuous encouragement, leash-guidance or verbal help on the track or at the articles, faulty pick-up/indication of the articles and indication of a false object will cause point deductions. The tracking work is to be terminated if the dog leaves the track by more than one line-length. If the dog starts to

leave the track and the handler restrains him from doing so, the judge will instruct the handler to follow his dog. The tracking work is to be terminated if the handler fails to follow the judge's instructions. If the track is not completed within 15 minutes from the time the dog was started, the judge will terminate the tracking work. The performance shown up to the point of termination will be evaluated.

It is faulty if the dog shows both options, in other words, if the dog indicates and picks up the articles during the article work. A score is only given for articles indicated in the manner announced to the judge when the handler reported in. Faulty indication/pick-up of an article affects the rating of the corresponding leg.

No points are given for articles that are not indicated or picked-up.

The distribution of points for each individual leg, for staying on the track, has to reflect the length and the degree of difficulty. Each leg is evaluated in points and ratings. If the dog is not tracking (e.g. lingering in the same place and the dog is not tracking), the judge may terminate the tracking work, even though the dog is still positioned on the track.

**SchH/VPG1 Phase B – Total 100 points**

Exercise 1:	Free-heeling	20 points
Exercise 2:	Sit out of motion	10 points
Exercise 3:	Down out of motion with recall	10 points
Exercise 4:	Retrieve on the flat	10 points
Exercise 5:	Retrieve over the hurdle	15 points
Exercise 6:	Retrieve over the scaling wall	15 points
Exercise 7:	Send-out with down	10 points
Exercise 8:	Long down under distraction	10 points

**General regulations:**

The judge gives the signal for the start of each exercise. Everything else, such as about turns, halts, changes of pace, etc. will be carried out without signals from the judge.

The verbal commands are described in the guidelines. Verbal commands are normally spoken, brief commands, consisting of one word. The commands may be given in any language. However, the same command is to be used for the same task at all times. If a dog does not perform the exercise or part of the exercise after receiving three commands, the exercise is to be terminated without a score. For the recall it is permissible to use the dog's name instead of the verbal command "hier"/"come". However, the name of the dog in conjunction with any verbal command is considered a double command.

In the basic position the dog is sitting close and straight on the left side of the handler, with the dog's right shoulder aligned with the handler's knee. Each exercise begins and ends in the basic position. It is permitted to assume the basic position only once at the start of an exercise. Brief praising of the dog is only permitted after an exercise is completed and only in the basic position. Upon praising the dog, the handler may assume a new basic position. However, there must be a distinct pause (approximately 3 seconds) in between praising the dog and starting a new exercise.

An exercise is developed out of the basic position. The handler must show a minimum of 10 paces or a maximum of 15 paces in the build-up, before giving the verbal command for the execution of the exercise. Between all fronts and finishes as well as the part of the exercise where the handler returns to the sitting, standing or laying dog, a distinct pause (approximately 3 seconds) is to be observed before a new verbal command may be given. When the handler returns to the dog, he may step next to the dog from the front or by going around the dog from behind.

Correct free heeling is to be demonstrated at all times, even between exercises. The dog must accompany the handler when he picks up the dumbbell. It is not permitted to play with or pump-up the dog while the handler retrieves the dumbbell.

The handler must execute the about turn as a left about turn. The dog may go around the handler from behind or back up from the front. However, it must be performed in the same manner throughout the trial.

After the sit in front, the dog may perform the finish by going around behind the handler or by executing a flip finish from in front of the handler.

The nonflexible hurdle (no flexible top) is 100 cm (39 ½”) high and is 150 cm (59”) wide. The scaling wall consists of two parts connected at the top. The two sides of the wall are 150 cm (59”) wide and 191 cm (6’ 3 ¼”) long. The wall is to be positioned on the ground in such a way that the vertical height is 180 cm (5’ 10 ¾”). Both sides of the scaling wall must be completely covered with a nonskid material. Three cleats (approximately 24×48 mm (1’×2”)) shall be attached to the upper part. All the dogs entered in a trial must jump over the same obstacles.

In the retrieving exercises dumbbells must be used exclusively (weight 650g). The dumbbells provided by the host club are to be used by all participants. It is not permitted to put the dumbbell in the dog’s mouth prior to any of the retrieving exercises.

In case a handler forgets to execute an exercise, the judge will ask the handler to perform the omitted exercise. No points will be deducted for this.

## **1. Free-heeling 20 points**

### **a) Verbal command: “Fuss”/”Heel”**

The handler is permitted to use the verbal command when starting from the basic position and when changing pace.

### **b) Execution**

Before starting the exercise the handler will approach the judge with his free-heeling dog. He makes the dog sit and reports in.

Out of the basic position the dog is to follow the handler attentively, happily and in a straight manner, upon receiving the command “fuss”/”heel” from the handler. The dog’s shoulder blade must be aligned with the handler’s left knee at all times. When the handler stops, the dog must sit down quickly and straight without any help from the handler. At the start of the exercise the handler and his dog must walk 50 paces in a straight direction, without stopping. After demonstrating the about turn, which is followed by another 10-15 paces, the handler must show a fast and slow pace (at least 10 paces each). The transition from fast pace to slow pace is to be performed without any transitional steps in between. The two different paces must be distinctly different in speed. Then, at a normal pace, the handler performs at least one right turn, one left turn and one about turn. A halt from a normal pace must be performed at least once. While the handler and his dog are walking down the first straight leg, two shots are fired (caliber 6 mm), five seconds apart. The shots are fired from a distance of at least 15 paces from the dog. The dog must show himself indifferent to the gunshots. On instruction by the judge, at the end of the exercise, the handler and the dog walk through a moving group, consisting of at least four people. In the group, the handler must heel the dog around two persons, once to the left and once to the right. The handler must come to a halt at least once in the group. The judge is entitled to ask the handler to repeat the exercise. The handler and the dog leave the group and assume the basic position.

### **c) Evaluation**

Deduction can be made accordingly for forging, heeling wide, lagging, slow or hesitant sits, additional commands, body-help from the handler, inattentiveness during heeling at all paces and all turns, and/or an unhappy working attitude of the dog.

## **2. Sit out of motion 10 points**

### **a) Verbal commands: “Fuss”/”Heel” and “Sitz”/”Sit”**

### **b) Execution**

From a straight basic position the handler walks in a straight direction with his free-heeling dog. After 10-15 paces, the handler gives the verbal command “sitz”/“sit” and the dog must sit quickly and straight without the handler stopping, altering his pace or looking back at the dog. The handler goes on another 30 paces, then stops and turns immediately to face his calmly sitting dog. At the judge’s signal the handler returns to the dog and positions himself on the dog’s right side.

**c) Evaluation**

Deduction can be made accordingly for a faulty build-up, a slow sit, restless and inattentive sitting. Five points will be deducted if the dog downs or stands.

**3. Down with recall 10 points**

**a) Verbal commands:** “Fuss”/“Heel”, “Platz”/“Down”, “Hier”/“Come” (or call name of the dog) and “Fuss”/“Heel” (for the finish)

**b) Execution**

From a straight basic position the handler moves forward in a straight direction with his free-heeling dog. After 10-15 paces, the handler gives the dog the verbal command “platz”/“down”. The dog must down quickly and straight without the handler stopping, altering his pace or looking back at the dog. The handler goes on another 30 paces, then stops and immediately turns around to face his calmly laying dog. At the judge’s signal he recalls the dog using the command “hier”/“come” or the dog’s name. The dog must come in happily, quickly and directly and must sit closely and straight in front of the handler. On the verbal command “fuss”/“heel”, the dog must quickly go into the basic position, whereas the dog’s shoulder blade must be aligned with the handler’s knee.

**c) Evaluation**

Deductions can be made accordingly for a faulty build-up, slow down, restlessness, slow coming in or slowing down while approaching the handler, splay-legged stance of the handler, faulty sit in front of the handler and a faulty finish. If the dog stands or sits after receiving the command, 5 points will be deducted.

**4. Retrieve on the flat 10 points**

**a) Verbal commands:** “Bring”/“Fetch”, “Aus”/“Out” and “Fuss”/“Heel”

**b) Execution**

From a straight basic position the handler throws a dumbbell (weight: 650g) over a distance of about 10 paces. The verbal command “bring”/“fetch” is not to be given until the dumbbell lies completely still. The dog sits calmly and off lead next to the handler. Upon receiving the verbal command “bring”/“fetch”, the dog is to run quickly and directly to the dumbbell, pick it up immediately and bring it to the handler quickly and directly. The dog is to sit closely and straight in front of the handler. The dog is to hold the dumbbell calmly in his mouth until the handler, after a pause of approximately 3 seconds, gives the command “aus”/“out” and takes the dumbbell away. The handler must hold the dumbbell calmly in his right hand, with the right arm stretched-out alongside the right side of his body. On the verbal command “fuss”/“heel”, the dog must quickly go into the basic position and sit straight on the handler’s left side. The dog’s shoulder blade must be aligned with the handler’s knee. The handler is not permitted to change his position during the entire exercise.

**c) Evaluation**

Deductions can be made accordingly for a faulty basic position, slow go-out, faulty pick-up, slow coming back, dropping of the dumbbell, playing with the dumbbell or mouthing, splay-legged stance of the handler, faulty sit in front and a faulty finish. Throwing the dumbbell too short of a distance as well as handler help without the handler changing his position, leads to point deductions. If the handler leaves his position before the exercise is finished, the exercise will be rated “insufficient” (0-6.5 points). If the dog does not retrieve, 0 points are given for the exercise.

**5. Retrieve over the hurdle (100 cm) 15 points**

a) **Verbal commands:** “Hopp”/”Jump”, “Bring”/”Fetch”, “Aus”/”Out” and “Fuss”/”Heel”

**b) Execution**

Handler and dog assume the basic position at least 5 paces in front of the hurdle. From the straight basic position the handler throws the dumbbell (weight: 650 g) over the 100 cm high hurdle. The verbal command “hopp”/”jump” is not to be given until the dumbbell lies completely still. The dog sits calmly and off lead next to the handler. Upon receiving the verbal commands “hopp”/”jump” and “bring”/”fetch” (the command “bring”/”fetch” must be given while the dog is jumping over the hurdle) the dog is to jump over the hurdle, run quickly and directly to the dumbbell, pick it up immediately, then turn around and jump over the hurdle and return the dumbbell to the handler quickly and directly. The dog is to sit closely and straight in front of the handler. The dog is to hold the dumbbell calmly in his mouth. After a pause of approximately 3 seconds, the handler gives the command “aus”/”out” and takes the dumbbell from the dog. The handler must hold the dumbbell calmly in his right hand, with the right arm stretched out alongside his body. On the verbal command “fuss”/”heel”, the dog must quickly go into the basic position and sit quickly and straight on the handlers left side. The dog’s shoulder blade must be aligned with the handler’s knee. The handler is not permitted to change his position during the entire exercise.

**c) Evaluation**

Deductions can be made accordingly for a faulty basic position, slow jump and go-out, faulty pick-up, slow return jump, dropping of the dumbbell, playing with the dumbbell or mouthing, splay-legged stance of the handler, faulty sit in front and a faulty finish. For touching of the hurdle 1 point must be deducted per jump and for stepping on the hurdle up to 2 points.

Distribution of points for the retrieve over the hurdle:

Going-out jump	Retrieve	Return-jump
5 points	5 points	5 points

A partial score for the exercise is only possible if at least two out of the three parts of the exercise (going-out jump – retrieve – return jump) are completed.

Both jumps perfect, retrieve without faults	15 points
One jump refused, retrieve without faults	10 points
Both jumps perfect, dumbbell not retrieved	10 points

If the dumbbell lands considerably over to one side or is poorly visible for the dog, the handler may ask the judge for a re-throw, or the judge may suggest a re-throw. No point deduction will result from this. The dog must remain in the sitting position while this is going on.

Any handler-help, without changing position, leads to corresponding point deductions. If the handler leaves his position before the exercise is completed, the exercise will be rated “insufficient” (0-10 points).

**6. Retrieve over the scaling wall (180 cm) 15 points**

a) **Verbal commands:** “Hopp”/”Jump”, “Bring”/”Fetch”, “Aus”/”Out” and “Fuss”/”Heel”

**b) Execution**

Handler and dog assume the basic position at least 5 paces in front of the scaling wall. From the straight basic position the handler throws the dumbbell (650 g) over the scaling wall. The dog sits calmly and off lead next to the handler. Upon receiving the verbal command “hopp”/”jump” and “bring”/”fetch” (the command “bring”/”fetch” is to be given while the dog is climbing over the wall) the dog must climb over the wall, run quickly and directly to the dumbbell, pick it up immediately, turn around and immediately climb back over the scaling wall and return the dumbbell quickly and directly to the handler. The dog is to sit closely and straight in front of the handler. The dog is to hold the dumbbell calmly in his mouth. After a pause of approximately 3 seconds, the handler gives the command “aus”/”out” and takes the dumbbell from the dog. The handler must hold the dumbbell calmly in his right hand, with the right arm stretched out alongside his body. On the verbal command “fuss”/”heel”, the dog must quickly go into the basic position and sit quickly and straight on the

handlers left side. The dog's shoulder blade must be aligned with the handler's knee. The handler is not permitted to change his position during the entire exercise.

**c) Evaluation**

Deductions can be made accordingly for a faulty basic position, slow jump and go-out, faulty pick-up, slow return-jump, dropping the dumbbell, playing with the dumbbell or mouthing, splay-legged stance of the handler, faulty sit in front and a faulty finish.

Distribution of points for the retrieve over the scaling wall:

Going-out jump	Retrieve	Return-jump
5 points	5 points	5 points

A partial score for the exercise is only possible if at least two out of the three parts of the exercise (going-out jump – retrieve – return-jump) were completed.

- Both jumps and retrieve without faults 15 points
- One jump refused, retrieve without faults 10 points
- Both jumps perfect, dumbbell not retrieved 10 points

If the dumbbell lands considerably over to one side or is poorly visible for the dog, the handler may ask the judge for a re-throw, or the judge may suggest a re-throw. No point deduction will result from this. The dog must remain in the sitting position while this is going on.

Any handler-help, without changing position, leads to corresponding point deductions. If the handler leaves his position before the exercise is completed, the exercise will be rated "insufficient" (0-10 points).

**7. Send-out with down 10 points**

**a) Verbal commands:** "Fuss"/"Heel", "Voraus"/"Go-out", "Platz"/"Down" and "Sitz"/"Sit"

**b) Execution**

From a straight basic position the handler walks with his free-heeling dog in the direction prescribed by the judge. After 10-15 paces the handler gives the dog the verbal command "voraus"/"go-out". Simultaneously the handler raises his arm (only once) and stops. The dog must go-out purposefully, at a fast pace and in a straight line, at least 30 paces in the indicated direction. On the judge's signal, the handler gives the verbal command "platz"/"down". The dog must down immediately. The handler may keep his arm raised until the dog assumes the down position. On the judge's signal, the handler returns to his dog and positions himself on the dog's right side. After about three seconds, upon receiving a signal from the judge, the handler gives the dog the command "sitz"/"sit" and the dog must sit up quickly and straight into the basic position.

**c) Evaluation**

Deductions can be made accordingly for a faulty build-up, the handler following the dog, the dog going-out too slowly, strong deviation to the side, too short of a distance, premature or hesitant downing, restless laying down or standing-up/sitting-up prematurely when the handler picks-up the dog.

**8. Long down under distraction 10 points**

**a) Verbal commands:** "Fuss"/"Heel", "Platz"/"Down" and "Sitz"/"Sit"

**b) Execution**

At the start of another dog's obedience exercise in phase "B", the handler downs his dog with the verbal command "platz"/"down", out of a straight basic position, in a spot designated by the judge, without leaving the leash or any other type of object with the dog. Then, the handler walks at least 30 paces away, within the boundaries of the training field and without turning around to the dog. The handler remains in this spot, quietly and in sight of the dog with his back turned toward the dog. The dog must remain calmly in the down position without any influence from the handler, while the other dog is executing exercises 1-6. On the judge's signal, the handler returns to his dog and positions himself on the dog's right side. After a brief pause of approximately

3 seconds and a signal from the judge, the dog receives the command “sitz”/”sit”. The dog is to sit up quickly and straight into at basic position.

**c) Evaluation**

Deductions can be made accordingly for restless behavior of the handler or other hidden handler-help, restless lying down of the dog, or premature standing-up/sitting-up of the dog when the handler returns. If the dog sits-up or is standing but remains in the designated area, partial points will be given. If the dog removes himself from the designated area by more than 3 meters before the other dog has completed exercise #3, 0 points will be given for this exercise. If the dog leaves the designated area after exercise #3 is completed, partial points will be given. If the dog walks toward the handler when the handler returns to the dog, up to 3 points may be deducted.

**SchH/VPG1 Phase “C”**

Exercise 1:	Search for the helper	5 points
Exercise 2:	Hold and bark	10 points
Exercise 3:	Prevention of an attempted escape of the helper	20 points
Exercise 4:	Defense against an attack during the guarding phase	35 points
Exercise 5:	Attack on the dog out of motion	30 points
Total		100 points

**General regulations:**

In a suitable location six blinds are to be set up along the length of the field, in a staggered fashion, three on each side (see diagram). The necessary markings must be clearly visible for the handler, the judge and the helper.

The helper must be equipped with a protective suit, sleeve and soft-stick. The sleeve must be equipped with a bite-bar and the sleeve-cover must be made from burlap (jute) in a natural color. If it is necessary for the helper to keep a close eye on the dog during the guarding phase, the helper is not required to stand still, although he is not permitted to make any threatening or defensive motions. The helper must protect his body with the sleeve. It is up to the handler in which manner he chooses to take the soft-stick away from the helper (disarming of the helper). (See also “Helper Regulations”)

It is possible to work with only one helper at all trial levels. If seven dogs or more are entered in a trial, two helpers should be employed. All dogs that are shown at the same trial level must be worked by the same helper.

Dogs that are out of control, that after a defense exercise do not release or release only after the handler takes physical measures, that bite any other part of the helper’s body than the protective sleeve, must be disqualified. No TSB rating is given.

For dogs that fail during a defense exercise or get chased away, phase “C” is to be terminated. The dog does not receive a rating in the protection phase. However, the dog must receive a TSB rating.

The verbal command “aus”/”out” is permitted one time in all defense exercises. The evaluation of the “out” is shown in the table below:

Slow out	First additional command followed by immediate out	First additional command followed by slow out	Second additional command followed by immediate out	Second additional command followed by slow out	No out after second additional command or additional influence
0.5 – 3.0	3.0	3.5 – 6.0	6.0	6.5 – 9.0	Disqualification

**1. Search for the helper 5 points**

**a) Verbal commands:** “Vorán” or “Revier”, “Hier”/ “Go-ahead” or “Search”, “Hier”/”Come”  
 (The command ”hier”/”come” may be given in conjunction with the dog’s name)

**b) Execution**

The helper is located in the last blind, out of the dog's sight. The handler positions himself with his free-heeling dog between the fourth and fifth blind prior to starting the blind-search, so that two side-sweeps are possible. On the judge's signal phase "C" begins. After the handler gives the verbal command "revier"/"search" in conjunction with a visual command, which is executed with either the right or left arm and may be repeated, the dog must quickly leave the handler and approach the fifth blind. The dog must run to and around the blind closely and attentively. As soon as the dog has searched the fifth blind, the handler gives the dog the command "hier"/"come" (it is permissible to use the dog's name in conjunction with the command) and sends the dog, while the handler is in motion, with the command "revier"/"search" into the find-blind. The handler is moving at a normal pace down the imaginary centerline. The handler is not permitted to leave this imaginary line during the search exercise. The dog must be in front of the handler at all times. When the dog reaches the find-blind, the handler is required to stand still. At this point no further verbal and visual commands are permitted.

**c) Evaluation**

Deductions can be made accordingly for limitations concerning control, the fast and purposeful approach of the blinds as well as the close and attentive circling of the blinds.

**2. Hold and bark 10 points**

**a) Verbal commands: "Hier"/"Come" and "Fuss"/"Heel"**

**b) Execution**

The dog must confront the helper actively and attentively and bark continuously. The dog is not permitted to jump on or bite the helper. After the dog has barked for approximately 20 seconds, the handler approaches the blind upon receiving a signal from the judge and stops about 5 paces away from it. On the judge's signal, the handler calls his dog out of the blind into the basic position. As an alternative, the handler is permitted to pick-up the free-heeling dog out of the blind. Both variations are rated the same.

**c) Evaluation**

Deductions can be made accordingly for limitations regarding the continuous and persistent barking and powerful holding, uninfluenced by the judge or the approaching handler until the command is given. Five points are given for continuous barking. 2 points are to be deducted for weak barking. If the dog is not barking but is guarding the helper actively, attentively and closely 5 points are deducted. Bothering of the helper, such as bumping, jumping up on the helper, etc. leads to a deduction of up to 2 points. Up to 9 points may be deducted for heavy gripping. If the dog leaves the helper before the handler receives the signal from the judge to leave the centerline, the dog may be sent into the find-blind a second time. If the dog stays with the helper this time, phase "C" may be continued, although the hold and bark exercise is to be rated "insufficient" (0 – 6.5 points). If the dog refuses or leaves the helper again, phase "C" is to be terminated. If the dog comes to the handler when he approaches the blind or the dog returns to the handler prior to receiving the verbal command, a partial score is given reflecting a rating of "insufficient" (0 – 6.5 points).

**3. Prevention of an attempted escape of the helper 20 points**

**a) Verbal commands: "Fuss"/"Heel", "Platz"/"Down" and "Aus"/"Out"**

**b) Execution**

Upon a signal from the judge, the handler orders the helper to step out of the blind. The helper moves at a normal pace to the designated (marked) location for the escape. On a signal from the judge, the handler moves with his free-heeling dog to the designated (marked) spot for the down prior to the escape. The distance between the dog and the helper is 5 paces. The handler leaves his guarding dog in the down position and moves into the blind, maintaining visual contact with the dog, the judge and the helper. On the judge's signal the helper tries to escape. The dog must immediately and independently prevent the escape effectively and without hesitation, by means of an energetic and strong grip. The dog may only bite the protective sleeve of the helper. On a signal from the judge the helper stands still. When the helper comes to a standstill, the dog must release immediately. The handler may give the verbal command "aus"/"out" on his own within an appropriate time.

If the dog does not release after the first command, the handler may give up to two additional commands “aus”/”out”, upon receiving a signal from the judge. If the dog does not release after having received three commands (one permissible and two additional commands), the team is to be disqualified. The handler must stand still, without influencing the dog in any way, while giving the command. After the release, the dog must stay close to the helper and guard him attentively.

**c) Evaluation**

Deductions can be made accordingly for limitations regarding important evaluation criteria, such as: A fast and energetic response and pursuit in conjunction with a powerful grip and effective prevention of the escape, full and calm grip until the release, attentive and close guarding of the helper. If the dog remains in the down position or has not prevented the escape by means of biting and holding the grip, before the helper has taken about 20 steps, phase “C” is to be terminated.

If the dog is slightly inattentive and/or bothers the helper slightly during the guarding phase, the exercise will be marked down by one grade. If the dog is guarding the helper very inattentively and/or is bothering the helper intensely, the exercise is marked down by two grades. If the dog is not guarding the helper but stays with him, the exercise is marked down by three grades. If the dog leaves the helper or if the handler gives a verbal command for the dog to stay with the helper, phase “C” is to be terminated.

**4. Defense against an attack during the guarding phase 35 points**

**a) Verbal commands: “Aus”/”Out” and “Fuss”/”Heel”**

**b) Execution**

After a guarding phase of about 5 seconds and upon a signal from the judge, the helper performs an attack on the dog. Without any influence from the handler, the dog must defend himself through energetic and powerful gripping. The dog may only bite the protective sleeve of the helper. As soon as the dog has a grip on the sleeve, the helper applies two stick-hits. Hits may only be applied to the shoulders and the area of the withers. Upon a signal from the judge, the helper stands still. After the helper has stopped the attack and is standing still, the dog must release immediately. The handler may give a verbal command “aus”/”out” on his own, within an appropriate time.

If the dog does not release after the first permissible command, the handler may give up to two additional commands, upon receiving a signal from the judge. If the dog does not release after three commands (one permissible and two additional commands), the team is to be disqualified. The handler must stand still, without influencing the dog in any form, while giving the verbal command “aus”/”out”. After the dog releases, the dog must stay close to the helper and guard him attentively. Upon a signal from the judge, the handler walks directly to his dog at a normal pace and with the verbal command “fuss”/”heel” puts the dog in the basic position. The soft-stick is not taken from the helper.

**c) Evaluation**

Deductions can be made accordingly for limitations concerning important evaluation criteria, such as: A fast and powerful response (by means of a strong bite), full and calm grip until the release, attentive and close guarding of the helper after the release.

If the dog is slightly inattentive and/or bothers the helper slightly during the guarding phase, the exercise will be marked down by one grade. If the dog is guarding the helper very inattentively and/or is bothering the helper intensely, the exercise is marked down by two grades. If the dog is not guarding the helper but stays with him, the exercise is marked down by three grades. If the dog comes toward the handler when he approaches, the exercise is rated “insufficient”. If the dog leaves the helper before the judge gives the signal to step up or the handler gives a command for the dog to stay with the helper, phase “C” is terminated.

**5. Attack on the dog out of motion 30 points**

**a) Verbal commands: “Sitz”/”Sit”, “Stell” or “Vorantreten”/”Pursue” or “Go out”, “Aus”/”Out” and “Fuss”/”Heel”**

## **b) Execution**

Handler and dog are sent to a marked position on the centerline of the field, which is level with the first blind. The dog may be held by the collar but the handler is not allowed to stimulate the dog. At a signal from the judge, the helper, who is equipped with a soft-stick, steps out of the blind and walks at a normal pace toward the centerline. As soon as the helper has reached a point approximately 40-30 paces away from the handler and his dog, the handler releases his dog, upon receiving a signal from the judge, with the verbal command “stell” or “voran”/ “pursue” or “go out”. The dog must counter the attack without hesitation by means of an energetic and strong grip. The dog may only bite the protective sleeve of the helper. The handler is not permitted to leave his position. Upon a signal from the judge, the helper stops the attack. As soon as the helper stands still, the dog must release. The handler may give the command “aus”/“out” on his own within an appropriate time.

If the dog does not release after the first command, the handler may give up to two additional commands, upon receiving a signal from the judge. If the dog does not release after three commands (one permissible and two additional commands), the team is to be disqualified. The handler must stand still, without influencing the dog in any form, while giving the verbal command “aus”/“out”. After the dog releases, the dog must stay close to the helper and guard him attentively. On a signal from the judge, the handler walks at a normal pace directly to his dog and puts the dog in the basic position with the verbal command “fuss”/“heel”. The soft-stick is then taken from the helper.

A side-transport of the helper to the judge, over a distance of approximately 20 paces, follows. A verbal command “fuss”/“heel” is permitted. The dog must walk on the helper’s right side, so that the dog is positioned between the handler and the helper. The dog must watch the helper attentively during the side-transport. However, the dog may not bother, jump on or grip the helper. The group stops in front of the judge. The handler presents the soft-stick to the judge and reports out. Prior to the critique and on the judge’s request, the dog is put on leash.

## **c) Evaluation**

Deductions can be made accordingly for limitations concerning important evaluation criteria, such as: An energetic defense with a powerful grip, full and calm grip up to the point of release and after the release attentive and close guarding of the helper.

If the dog is slightly inattentive and/or bothers the helper slightly during the guarding phase the exercise will be marked down by one grade. If the dog is guarding the helper very inattentively and /or is bothering the helper intensely, the exercise is marked down by two grades. If the dog is not guarding the helper but stays with him, the exercise is marked down by three grades. If the dog comes toward the handler when he approaches, the exercise is rated “insufficient”. If the dog leaves the helper before the judge gives the signal to step up or the handler gives a command for the dog to stay with the helper, phase “C” is terminated.

### **SchH/VPG 2**

Is divided into: Phase A 100 points  
Phase B 100 points  
Phase C 100 points  
Total: 300 points

### **SchH/VPG2 Phase A**

The track is laid by a stranger, minimum of 400 paces, 3 legs, 2 corners (approximately 90 degrees), 2 articles, must age for at least 30 minutes, allotted time to complete the track is 15 minutes.

Staying on the track: 80 points  
Articles (10+10): 20 points  
Total 100 points

### **General regulations:**

The judge or the person in charge of tracking determines the course of the track, based upon the layout of the terrain. Varying patterns must be used for the tracks. It is not permitted that the articles and corners on each track are placed at the same distance from each other. The start must be clearly marked with a sign, placed in the ground directly to the left of the scent pad.

After the tracks are laid, the judge draws once more for the starting order.

The tracklayer must show the tracking articles to the judge or the person in charge of tracking, prior to laying the track. Only well-scented articles (scented for at least 30 minutes) may be used. The tracklayer remains for a brief moment on the scent pad and then proceeds at a normal pace in the direction prescribed by the judge. The corners are likewise to be laid at a normal pace. The first article is placed on the track after a minimum of 100 paces on the first or second leg. The second article is placed at the end of the track. The articles are to be laid on the track while the tracklayer is in motion. After placing the last article at the end of the track, the tracklayer must proceed to walk straight ahead for a few more paces. Different types of articles are to be used on the same track (Materials: e.g. leather, fabric, wood). The size of the articles may not exceed 10 cm (4") in length, 2-3 cm (3/4" - 1 1/4") in width and 0.5-1 cm (3/16" - 3/8") in thickness. Their color may not stand out considerably from the terrain. Handler and dog must remain out of sight while the track is laid.

While the dog is tracking, the judge and any accompanying persons are not permitted in the area of the track where the team (handler and dog) has the right to track.

**a) Verbal commands** "Such" / "Seek"

The verbal command is permitted at the start and after the first article.

**b) Execution**

The handler prepares the dog for tracking. The dog may track off lead or on a 10 meter (33') tracking line. While tracking, the 10 m tracking line may be placed across the back, on the side or between the front and/or hindquarters of the dog. The tracking line may be attached directly to the collar, on the dead ring, or to the tracking harness. The following types of tracking harnesses are permitted: breast-harness or Böttger-harness without any additional straps. When called, the handler will report to the judge with the dog in the basic position. The handler will inform the judge whether the dog will pick up or indicate the articles. Any compulsion is to be avoided prior to tracking, at the start and during the entire track. Upon a signal from the judge, the dog is taken slowly and calmly to the starting point and is set onto the track. The dog is to take the scent at the start calmly and intensely, with a deep nose. The dog must then proceed to track with a deep nose, maintaining a steady pace. The handler follows his dog at a distance of 10 m at the end of the tracking line. When tracking off lead a distance of 10 m must be maintained as well. A certain amount of slack in the line is permissible, as long as the handler keeps the tracking line in his hand. The dog must work out corners confidently. After working out a corner the dog must continue to track at his regular pace. As soon as the dog reaches an article he must immediately pick-up or indicate the article in a convincing manner, without help from the handler. The dog is permitted to stand, sit or return to the handler when picking-up an article. Moving forward with the article or picking-up the article while lying down is faulty. Indication of the articles may be done by standing, sitting or laying down. It is permitted to alternate. As soon as the dog has indicated or picked up an article, the handler must put down the tracking line and go to his dog. By raising the arm with the article in his hand, the handler shows that the dog has found the article. Then the handler picks up the tracking line and continues to work out the track with his dog. Upon completion of the track, the handler must show the articles that were found to the judge.

**c) Evaluation**

The speed in which the track is worked out does not influence the score, as long as the track is worked out intensely, uniformly and convincingly and the dog shows a positive tracking attitude. A dog's checking is not faulty, as long as the dog does not leave the track. Aimless wandering, a high nose, urination/defecation, circling at the corners, continuous encouragement, leash-guidance or verbal help on the track or at the articles, faulty pick-up/indication of the articles and indication of a false object will cause point deductions. The tracking work is to be terminated if the dog leaves the track by more than one line-length. If the dog starts to leave the track and the handler restrains him from doing so, the judge will instruct the handler to follow his dog. The tracking work is to be terminated if the handler fails to follow the judge's instructions. If the track is not completed within 15 minutes from the time the dog was started, the judge will terminate the tracking work. The performance shown up to the point of termination will be evaluated.

It is faulty if the dog shows both options, in other words, if the dog indicates and picks up the articles during the article work. A score is only given for articles indicated in the manner announced to the judge when the handler reported in. Faulty indication/pick-up of an article affects the rating of the corresponding leg.

No points are given for articles that are not indicated or picked-up.

The distribution of points for each individual leg, for staying on the track, has to reflect the length and the degree of difficulty. Each leg is evaluated in points and ratings. If the dog is not tracking (e.g. lingering in the same place and the dog is not tracking), the judge may terminate the tracking work, even though the dog is still positioned on the track.

### **SchH/VPG 2 phase B**

Exercise 1:	Free-heeling	10 points
Exercise 2:	Sit out of motion	10 points
Exercise 3:	Down out of motion with recall	10 points
Exercise 4:	Stand out of motion (walking)	10 points
Exercise 5:	Retrieve on the flat	10 points
Exercise 6:	Retrieve over the hurdle	15 points
Exercise 7:	Retrieve over the scaling wall	15 points
Exercise 8:	Send-out with down	10 points
Exercise 9:	Long down under distraction	10 points
Total		100 points

### **General regulations:**

The judge gives the signal for the start of each exercise. Everything else such as about turns, halts, changes of pace, etc. will be carried out without signals from the judge.

The verbal commands are described in the guidelines. Verbal commands are normally spoken, brief commands, consisting of one word. The commands may be given in any language. However, the same command is to be used for the same task at all times. If a dog does not perform the exercise or part of the exercise after receiving three commands, the exercise is to be terminated without a score. For the recall it is permissible to use the dog's name instead of the verbal command "hier"/"come". However, the name of the dog in conjunction with any verbal command is considered a double command.

In the basic position the dog is sitting close and straight on the left side of the handler, with the dog's right shoulder aligned with the handler's knee. Each exercise begins and ends in the basic position. It is permitted to assume the basic position only once at the start of an exercise. Brief praising of the dog is only permitted after an exercise is completed and only in the basic position. Upon praising the dog, the handler may assume a new basic position. However, there must be a distinct pause (approximately 3 seconds) in between praising the dog and starting a new exercise.

An exercise is developed out of the basic position. The handler must show a minimum of 10 paces or a maximum of 15 paces in the build-up, before giving the verbal command for the execution of the exercise. Between all fronts and finishes as well as the part of the exercise where the handler returns to the sitting, standing or laying dog, a distinct pause (approximately 3 seconds) is to be observed before a new verbal command may be given. When the handler returns to the dog, he may step next to the dog from the front or by going around the dog from behind.

Correct free heeling is to be demonstrated at all times, even between exercises. The dog must accompany the handler when he picks up the dumbbell. It is not permitted to play with or pump-up the dog while the handler retrieves the dumbbell.

The handler must execute the about turn as a left about turn. The dog may go around the handler from behind or back up from the front. However, it must be performed in the same manner throughout the trial.

After the sit in front, the dog may perform the finish by going around behind the handler or by executing a flip finish from in front of the handler.

The nonflexible hurdle (no flexible top) is 100 cm (39 ½”) high and is 150 cm (59”) wide. The scaling wall consists of two parts connected at the top. The two sides of the wall are 150 cm (59”) wide and 191 cm (6’ 3 ¼”) long. The wall is to be positioned on the ground in such a way that the vertical height is 180 cm (5’ 10 ¾”). Both sides of the scaling wall must be covered with a nonskid material. Three cleats (approximately 24×48 mm (1”×2”)) shall be attached to the upper part. All the dogs entered in a trial must jump over the same obstacles. In the retrieving exercises dumbbells must be used exclusively (retrieve on the flat 1000g, retrieve over the hurdle and scaling wall 650g). The dumbbells provided by the host club are to be used by all participants. It is not permitted to put the dumbbell in the dog’s mouth prior to any of the retrieving exercises.

In case a handler forgets to execute an exercise, the judge will ask the handler to perform the omitted exercise. No points will be deducted for this.

## **1. Free-heeling 10 points**

### **a) Verbal command: “Fuss”/”Heel”**

The handler is permitted to use the verbal command when starting from the basic position and when changing pace.

### **b) Execution**

Before starting the exercise the handler will approach the judge with his free-heeling dog. He makes the dog sit and reports in.

Out of the basic position the dog is to follow the handler attentively, happily and in a straight manner, upon receiving the command “fuss”/”heel” from the handler. The dog’s shoulder blade must be aligned with the handler’s left knee at all times. When the handler stops, the dog must sit down quickly and straight without any help from the handler. At the start of the exercise the handler and his dog must walk 50 paces in a straight direction, without stopping. After demonstrating the about turn, which is followed by another 10-15 paces, the handler must show a fast and slow pace (at least 10 paces each). The transition from fast pace to slow pace is to be performed without any transitional steps in between. The two different paces must be distinctly different in speed. Then, at a normal pace, the handler performs at least one right turn, one left turn and one about turn. A halt from a normal pace must be performed at least once. While the handler and his dog are walking down the first straight leg, two shots are fired (caliber 6 mm), five seconds apart. The shots are fired from a distance of at least 15 paces from the dog. The dog must show himself indifferent to the gunshots. On instruction by the judge, at the end of the exercise, the handler and the dog walk through a moving group, consisting of at least four people. In the group, the handler must heel the dog around two persons, once to the left and once to the right. The handler must come to a halt at least once in the group. The judge is entitled to ask the handler to repeat the exercise. The handler and the dog leave the group and assume the basic position.

### **c) Evaluation**

Deduction can be made accordingly for forging, heeling wide, lagging, slow or hesitant sits, additional commands, body-help from the handler, inattentiveness during heeling at all paces and all turns, and/or an unhappy working attitude of the dog.

## **2. Sit out of motion 10 points**

### **a) Verbal commands: “Fuss”/”Heel” and “Sitz”/”Sit”**

### **b) Execution**

From a straight basic position the handler walks in a straight direction with his free-heeling dog. After 10-15 paces, the handler gives the verbal command “sitz”/”sit” and the dog must sit quickly and straight without the handler stopping, altering his pace or looking back at the dog. The handler goes on another 30 paces, then stops and turns immediately to face his calmly sitting dog. At the judge’s signal the handler returns to the dog and positions himself on the dog’s right side.

### **c) Evaluation**

Deduction can be made accordingly for a faulty build-up, a slow sit, restless and inattentive sitting. Five points will be deducted if the dog downs or stands.

### **3. Down with recall 10 points**

**a) Verbal commands:** “Fuss”/”Heel”, “Platz”/”Down”, “Hier”/”Come” (or call name of the dog) and “Fuss”/”Heel” (for the finish)

#### **b) Execution**

From a straight basic position the handler moves forward in a straight direction with his free-heeling dog. After 10-15 paces, the handler gives the dog the verbal command “platz”/”down”. The dog must down quickly and straight without the handler stopping, altering his pace or looking back at the dog. The handler goes on another 30 paces, then stops and immediately turns around to face his calmly laying dog. At the judge’s signal he recalls the dog using the command “hier”/”come” or the dog’s name. The dog must come in happily, quickly and directly and must sit closely and straight in front of the handler. On the verbal command “fuss”/”heel”, the dog must quickly go into the basic position, whereas the dog’s shoulder blade must be aligned with the handler’s knee.

#### **c) Evaluation**

Deductions can be made accordingly for a faulty build-up, slow down, restlessness, slow coming in or slowing down while approaching the handler, splay-legged stance of the handler, faulty sit in front of the handler and a faulty finish. If the dog stands or sits after receiving the command, 5 points will be deducted.

### **4. Stand out of motion (walking) 10 points**

**a) Verbal commands:** “Fuss”/”Heel”, “Steh”/”Stand” and “Sitz”/”Sit”

#### **b) Execution**

From a straight basic position the handler moves forward in a straight direction with his free-heeling dog. After 10-15 paces, the handler gives the dog the verbal command “steh”/”stand”. The dog must come to a stand immediately and in the direction of movement (straight) without the handler stopping, altering his pace or looking back at the dog. The handler goes on another 30 paces, then stops and immediately turns around to face his calmly standing dog. At the judge’s signal the handler returns directly to the dog and positions himself on the dog’s right side. Upon a pause of approximately 3 seconds and upon a signal from the judge, the handler gives the dog the verbal command “sitz”/”sit”. The dog must sit quickly and straight.

#### **c) Evaluation**

Deductions can be made accordingly for a faulty build-up, taking additional steps upon receiving the command, restless standing, following the handler, restlessness when the handler returns and sitting slowly at the finish. 5 points will be deducted if the dog sits or downs upon receiving the command “steh”/”stand”.

### **5. Retrieve on the flat 10 points**

**a) Verbal commands:** “Bring”/”Fetch”, “Aus”/”Out” and “Fuss”/”Heel”

#### **b) Execution**

From a straight basic position the handler throws a dumbbell (weight: 1000g) over a distance of about 10 paces. The verbal command “bring”/”fetch” is not to be given until the dumbbell lies completely still. The dog sits calmly and off lead next to the handler. Upon receiving the verbal command “bring”/”fetch”, the dog is to run quickly and directly to the dumbbell, pick it up immediately and bring it to the handler quickly and directly. The dog is to sit closely and straight in front of the handler. The dog is to hold the dumbbell calmly in his mouth until the handler, after a pause of approximately 3 seconds, gives the command “aus”/”out” and takes the dumbbell away. The handler must hold the dumbbell calmly in his right hand, with the right arm stretched-out alongside the right side of his body. On the verbal command “fuss”/”heel”, the dog must quickly go into the

basic position and sit straight on the handler's left side. The dog's shoulder blade must be aligned with the handler's knee. The handler is not permitted to change his position during the entire exercise.

**c) Evaluation**

Deductions can be made accordingly for a faulty basic position, slow go-out, faulty pick-up, slow coming back, dropping of the dumbbell, playing with the dumbbell or mouthing, splay-legged stance of the handler, faulty sit in front and a faulty finish. Throwing the dumbbell too short of a distance as well as handler help without the handler changing his position, leads to point deductions. If the handler leaves his position before the exercise is finished, the exercise will be rated "insufficient". If the dog does not retrieve, 0 points are given for the exercise.

**6. Retrieve over the hurdle (100 cm) 15 points**

**a) Verbal commands:** "Hopp"/"Jump", "Bring"/"Fetch", "Aus"/"Out" and "Fuss"/"Heel"

**b) Execution**

Handler and dog assume the basic position at least 5 paces in front of the hurdle. From the straight basic position the handler throws the dumbbell (weight: 650 g) over the 100 cm high hurdle. The verbal command "hopp"/"jump" is not to be given until the dumbbell lies completely still. The dog sits calmly and off lead next to the handler. Upon receiving the verbal commands "hopp"/"jump" and "bring"/"fetch" (the command "bring"/"fetch" must be given while the dog is jumping over the hurdle) the dog is to jump over the hurdle, run quickly and directly to the dumbbell, pick it up immediately, then turn around and jump over the hurdle and return the dumbbell to the handler quickly and directly. The dog is to sit closely and straight in front of the handler. The dog is to hold the dumbbell calmly in his mouth. After a pause of approximately 3 seconds, the handler gives the command "aus"/"out" and takes the dumbbell from the dog. The handler must hold the dumbbell calmly in his right hand, with the right arm stretched out alongside his body. On the verbal command "fuss"/"heel", the dog must quickly go into the basic position and sit quickly and straight on the handlers left side. The dog's shoulder blade must be aligned with the handler's knee. The handler is not permitted to change his position during the entire exercise.

**c) Evaluation**

Deductions can be made accordingly for a faulty basic position, slow jump and go-out, faulty pick-up, slow return jump, dropping of the dumbbell, playing with the dumbbell or mouthing, splay-legged stance of the handler, faulty sit in front and a faulty finish. For touching of the hurdle 1 point must be deducted per jump and for stepping on the hurdle up to 2 points.

Distribution of points for the retrieve over the hurdle:

Going-out jump	Retrieve	Return-jump
5 points	5 points	5 points

A partial score for the exercise is only possible if at least two out of the three parts of the exercise (going-out jump – retrieve – return jump) are completed.

Both jumps perfect, retrieve without faults	15 points
One jump refused, retrieve without faults	10 points
Both jumps perfect, dumbbell not retrieved	10 points

If the dumbbell lands considerably over to one side or is poorly visible for the dog, the handler may ask the judge for a re-throw, or the judge may suggest a re-throw. No point deduction will result from this. The dog must remain in the sitting position while this is going on.

Any handler-help, without changing position, leads to corresponding point deductions. If the handler leaves his position before the exercise is completed, the exercise will be rated "insufficient" (0-10 points).

**7. Retrieve over the scaling wall (180 cm) 15 points**

a) **Verbal commands:** “Hopp”/”Jump”, “Bring”/”Fetch”, “Aus”/”Out” and “Fuss”/”Heel”

**b) Execution**

Handler and dog assume the basic position at least 5 paces in front of the scaling wall. From the straight basic position the handler throws the dumbbell (650 g) over the scaling wall. The dog sits calmly and off lead next to the handler. Upon receiving the verbal command “hopp”/”jump” and “bring”/”fetch” (the command “bring”/”fetch” is to be given while the dog is climbing over the wall) the dog must climb over the wall, run quickly and directly to the dumbbell, pick it up immediately, turn around and immediately climb back over the scaling wall and return the dumbbell quickly and directly to the handler. The dog is to sit closely and straight in front of the handler. The dog is to hold the dumbbell calmly in his mouth. After a pause of approximately 3 seconds, the handler gives the command “aus”/”out” and takes the dumbbell from the dog. The handler must hold the dumbbell calmly in his right hand, with the right arm stretched out alongside his body. On the verbal command “fuss”/”heel”, the dog must quickly go into the basic position and sit quickly and straight on the handlers left side. The dog’s shoulder blade must be aligned with the handler’s knee. The handler is not permitted to change his position during the entire exercise.

**c) Evaluation**

Deductions can be made accordingly for a faulty basic position, slow jump and go-out, faulty pick-up, slow return-jump, dropping the dumbbell, playing with the dumbbell or mouthing, splay-legged stance of the handler, faulty sit in front and a faulty finish.

Distribution of points for the retrieve over the scaling wall:

Going-out jump	Retrieve	Return-jump
5 points	5 points	5 points

A partial score for the exercise is only possible if at least two out of the three parts of the exercise (going-out jump – retrieve – return-jump) were completed.

Both jumps and retrieve without faults 15 points

One jump refused, retrieve without faults 10 points

Both jumps perfect, dumbbell not retrieved 10 points

If the dumbbell lands considerably over to one side or is poorly visible for the dog, the handler may ask the judge for a re-throw, or the judge may suggest a re-throw. No point deduction will result from this. The dog must remain in the sitting position while this is going on.

Any handler-help, without changing position, leads to corresponding point deductions. If the handler leaves his position before the exercise is completed, the exercise will be rated “insufficient”.

**8. Send-out with down 10 points**

a) **Verbal commands:** “Fuss”/”Heel”, “Voraus”/”Go-out”, “Platz”/”Down” and “Sitz”/”Sit”

**b) Execution**

From a straight basic position the handler walks with his free-heeling dog in the direction prescribed by the judge. After 10-15 paces the handler gives the dog the verbal command “voraus”/”go-out”. Simultaneously the handler raises his arm (only once) and stops. The dog must go-out purposefully, at a fast pace and in a straight line, at least 30 paces in the indicated direction. On the judge’s signal, the handler gives the verbal command “platz”/”down”. The dog must down immediately. The handler may keep his arm raised until the dog assumes the down position. On the judge’s signal, the handler returns to his dog and positions himself on the dog’s right side. After about three seconds, upon receiving a signal from the judge, the handler gives the dog the command “sitz”/”sit” and the dog must sit up quickly and straight into the basic position.

**c) Evaluation**

Deductions can be made accordingly for a faulty build-up, the handler following the dog, the dog going-out too slowly, strong deviation to the side, too short of a distance, premature or hesitant downing, restless laying down or standing-up/sitting-up prematurely when the handler picks-up the dog.

## 9. Long down under distraction 10 points

a) **Verbal commands:** “Fuss”/”Heel”, “Platz”/”Down” and “Sitz”/”Sit”

### b) Execution

At the start of another dog’s obedience exercise in phase “B”, the handler downs his dog with the verbal command “platz”/”down”, out of a straight basic position, in a spot designated by the judge, without leaving the leash or any other type of object with the dog. Then, the handler walks at least 30 paces away, within the boundaries of the training field and without turning around to the dog. The handler remains in this spot, quietly and in sight of the dog with his back turned toward the dog. The dog must remain calmly in the down position without any influence from the handler, while the other dog is executing exercises 1 – 7. On the judge’s signal, the handler returns to his dog and positions himself on the dog’s right side. After a brief pause of approximately 3 seconds and a signal from the judge, the dog receives the command “sitz”/”sit”. The dog is to sit up quickly and straight into the basic position.

### c) Evaluation

Deductions can be made accordingly for restless behavior of the handler or other hidden handler-help, restless lying down of the dog, or premature standing-up/sitting-up of the dog when the handler returns. If the dog sits-up or is standing but remains in the designated area, partial points will be given. If the dog removes himself from the designated area by more than 3 meters before the other dog has completed exercise #3, 0 points will be given for this exercise. If the dog leaves the designated area after exercise #3 is completed, partial points will be given. If the dog walks toward the handler when the handler returns to the dog, up to 3 points may be deducted.

## SchH/VPG 2 Phase C

Exercise 1:	Search for the helper	5 points
Exercise 2:	Hold and bark	10 points
Exercise 3:	Prevention of an attempted escape of the helper	10 points
Exercise 4:	Defense against an attack during the guarding phase	20 points
Exercise 5:	Back-transport	5 points
Exercise 6:	Attack on the dog out of the back-transport	30 points
Exercise 7:	Attack on the dog out of motion	20 points
Total		100 points

### General regulations:

In a suitable location six blinds are to be set up along the length of the field, in a staggered fashion, three on each side (see diagram). The necessary markings must be clearly visible for the handler, the judge and the helper.

The helper must be equipped with a protective suit, sleeve and soft-stick. The sleeve must be equipped with a bite-bar and the sleeve-cover must be made from burlap (jute) in a natural color. If it is necessary for the helper to keep a close eye on the dog during the guarding phase, the helper is not required to stand still, although he is not permitted to make any threatening or defensive motions. The helper must protect his body with the sleeve. It is up to the handler in which manner he chooses to take the soft-stick away from the helper (disarming of the helper). (See also “Helper Regulations”)

It is possible to work with only one helper at all trial levels. If seven dogs or more are entered in a trial, two helpers should be employed. All dogs that are shown at the same trial level must be worked by the same helper.

Dogs that are out of control, that after a defense exercise do not release or release only after the handler takes physical measures (touching), that bite any other part of the helper’s body than the protective sleeve, must be disqualified. No TSB rating is given.

For dogs that fail during a defense exercise or get chased away, phase “C” is to be terminated. The dog does not receive a rating in the protection phase. However, the dog must receive a TSB rating.

The verbal command “aus”/”out” is permitted one time in all defense exercises. The evaluation of the “out” is shown in the table below:

Slow out	First additional command followed by immediate out	First additional command followed by slow out	Second additional command followed by immediate out	Second additional command followed by slow out	No out after second additional command or additional influence
0.5 – 3.0	3.0	3.5 – 6.0	6.0	6.5 – 9.0	Disqualification

**1. Search for the helper 5 points**

**a) Verbal commands:** “Voran” or “Revier”, “Hier”/ “Go-ahead” or “Search”, “Hier”/”Come”  
(The command ”hier”/”come” may be given in conjunction with the dog’s name)

**b) Execution**

The helper is located in the last blind, out of the dog’s sight. The handler positions himself with his free-heeling dog between the second and third blind prior to starting the blind-search, so that four side-sweeps are possible. On the judge’s signal phase “C” begins. After the handler gives the verbal command “revier”/”search” in conjunction with a visual command, which is executed with either the right or left arm and may be repeated, the dog must quickly leave the handler and approach the designated blind. The dog must run around the blind closely and attentively. As soon as the dog has performed one side-sweep, the handler gives the dog the command “hier”/”come” (it is permissible to use the dog’s name in conjunction with the command) and sends the dog, while the handler is in motion, with the command “revier”/”search” into the next blind. The handler is moving at a normal pace down the imaginary centerline. The handler is not permitted to leave this imaginary line during the search exercise. The dog must be in front of the handler at all times. When the dog reaches the find-blind, the handler is required to stand still. At this point no further verbal commands are permitted.

**c) Evaluation**

Deductions can be made accordingly for limitations concerning control, the fast and purposeful approach of the blinds as well as the close and attentive circling of the blinds.

**2. Hold and bark 10 points**

**a) Verbal commands:** “Hier”/”Come” and “Fuss”/”Heel”

**b) Execution**

The dog must confront the helper actively and attentively and bark continuously. The dog is not permitted to jump on or bite the helper. After the dog has barked for approximately 20 seconds, the handler approaches the blind upon receiving a signal from the judge and stops about 5 paces away from it. On the judge’s signal, the handler calls his dog out of the blind into the basic position.

**c) Evaluation**

Deductions can be made accordingly for limitations regarding the continuous and persistent barking and powerful holding, uninfluenced by the judge or the approaching handler until the command is given. Five points are given for continuous barking. 2 points are to be deducted for weak barking. If the dog is not barking but is guarding the helper actively, attentively and closely 5 points are deducted. Bothering of the helper, such as bumping, jumping up on the helper, etc. leads to a deduction of up to 2 points. Up to 9 points may be deducted for heavy gripping. If the dog leaves the helper before the handler receives the signal from the judge to leave the centerline, the dog may be sent into the find-blind a second time. If the dog stays with the helper this time, phase “C” may be continued, although the hold and bark exercise is to be rated “insufficient” If the dog refuses or leaves the helper again, phase “C” is to be terminated. If the dog comes to the handler when he approaches

the blind or the dog returns to the handler prior to receiving the verbal command, a partial score is given reflecting a rating of “insufficient”.

### **3. Prevention of an attempted escape of the helper 10 points**

a) **Verbal commands:** “Fuss”/”Heel”, “Platz”/”Down” and “Aus”/”Out”

#### **b) Execution**

Upon a signal from the judge, the handler orders the helper to step out of the blind. The helper moves at a normal pace to the designated (marked) location for the escape. On a signal from the judge, the handler moves with his free-heeling dog to the designated (marked) spot for the down prior to the escape. The distance between the dog and the helper is 5 paces. The handler leaves his guarding dog in the down position and moves into the blind, maintaining visual contact with the dog, the judge and the helper. On the judge’s signal the helper tries to escape. The dog must immediately and independently prevent the escape effectively and without hesitation, by means of an energetic and strong grip. The dog may only bite the protective sleeve of the helper. On a signal from the judge the helper stands still. When the helper comes to a standstill, the dog must release immediately. The handler may give the verbal command “aus”/”out” on his own within an appropriate time.

If the dog does not release after the first command, the handler may give up to two additional commands “aus”/”out”, upon receiving a signal from the judge. If the dog does not release after having received three commands (one permissible and two additional commands), the team is to be disqualified. The handler must stand still, without influencing the dog in any way, while giving the command. After the release, the dog must stay close to the helper and guard him attentively.

#### **c) Evaluation**

Deductions can be made accordingly for limitations regarding important evaluation criteria, such as: A fast and energetic response and pursuit in conjunction with a powerful grip and effective prevention of the escape, full and calm grip until the release, attentive and close guarding of the helper. If the dog remains in the down position or has not prevented the escape by means of biting and holding the grip, before the helper has taken about 20 steps, phase “C” is to be terminated.

If the dog is slightly inattentive and/or bothers the helper slightly during the guarding phase, the exercise will be marked down by one grade. If the dog is guarding the helper very inattentively and/or is bothering the helper intensely, the exercise is marked down by two grades. If the dog is not guarding the helper but stays with him, the exercise is marked down by three grades. If the dog leaves the helper or if the handler gives a verbal command for the dog to stay with the helper, phase “C” is to be terminated.

### **4. Defense against an attack during the guarding phase 20 points**

a) **Verbal commands:** “Aus”/”Out” and “Fuss”/”Heel”

#### **b) Execution**

After a guarding phase of about 5 seconds and upon a signal from the judge, the helper performs an attack on the dog. Without any influence from the handler, the dog must defend himself through energetic and powerful gripping. The dog may only bite the protective sleeve of the helper. As soon as the dog has a grip on the sleeve, the helper applies two stick-hits. Hits may only be applied to the shoulders and the area of the withers. Upon a signal from the judge, the helper stands still. After the helper has stopped the attack and is standing still, the dog must release immediately. The handler may give a verbal command “aus”/”out” on his own, within an appropriate time.

If the dog does not release after the first permissible command, the handler may give up to two additional commands, upon receiving a signal from the judge. If the dog does not release after three commands (one permissible and two additional commands), the team is to be disqualified. The handler must stand still, without influencing the dog in any form, while giving the verbal command “aus”/”out”. After the dog releases, the dog must stay close to the helper and guard him attentively. Upon a signal from the judge, the handler walks directly

to his dog at a normal pace and with the verbal command “fuss”/”heel” puts the dog in the basic position. The soft-stick is not taken from the helper.

**c) Evaluation**

Deductions can be made accordingly for limitations concerning important evaluation criteria, such as: A fast and powerful response (by means of a strong bite), full and calm grip until the release, attentive and close guarding of the helper after the release.

If the dog is slightly inattentive and/or bothers the helper slightly during the guarding phase, the exercise will be marked down by one grade. If the dog is guarding the helper very inattentively and/or is bothering the helper intensely, the exercise is marked down by two grades. If the dog is not guarding the helper but stays with him, the exercise is marked down by three grades. If the dog comes toward the handler when he approaches, the exercise is rated “insufficient”. If the dog leaves the helper before the judge gives the signal to step up or the handler gives a command for the dog to stay with the helper, phase “C” is terminated.

**5. Back-transport 5 points**

**a) Verbal command: “Fuss”/”Heel”**

**b) Execution**

Exercise 4 is followed by the back-transport of the helper over a distance of approximately 30 paces. The judge determines the course of the back-transport. The handler instructs the helper to start walking. The handler follows the helper with his free-heeling dog at a distance of approximately 5 paces. The dog is to watch the helper attentively. The distance of 5 paces to the helper must be maintained throughout the entire back-transport.

**c) Evaluation**

Deductions can be made accordingly for limitations regarding important evaluation criteria: Watching the helper attentively, exact heeling, maintaining a distance of 5 paces to the helper.

**6. Attack on the dog out of the back-transport 30 points**

**a) Verbal commands: “Aus”/”Out” and “Fuss”/”Heel”**

**b) Execution**

On a signal from the judge, without stopping, an attack is performed on the dog out of the back-transport. Without any influence from the handler and without hesitation, the dog is to counter the attack by means of an energetic and powerful grip. The dog may only bite the protective sleeve of the helper. As soon as the dog has a grip on the sleeve, the handler must stand still. On a signal from the judge, the helper stops the attack. As soon as the helper stops, the dog must release immediately. The handler may give a verbal command “aus”/”out” on his own within an appropriate time.

If the dog does not release after the first command, the handler may give up to two additional commands, upon receiving a signal from the judge. If the dog does not release after three commands (one permissible and two additional commands), the team is to be disqualified. The handler must stand still, without influencing the dog in any form, while giving the verbal command “aus”/”out”. After the dog releases, the dog must stay close to the helper and guard him attentively. On a signal from the judge, the handler walks at a normal pace directly to his dog and takes the dog in the basic position with the verbal command “fuss”/”heel”. The soft-stick is not taken from the helper.

**c) Evaluation**

Deductions can be made accordingly for limitations regarding important evaluation criteria: Fast and powerful response (by means of a strong bite), full and calm grip until the release, attentive and close guarding of the helper after the release.

If the dog is slightly inattentive and/or bothers the helper slightly during the guarding phase the exercise will be marked down by one grade. If the dog is guarding the helper very inattentively and/or is bothering the helper intensely, the exercise is marked down by two grades. If the dog is not guarding the helper but stays with him,

the exercise is marked down by three grades. If the dog comes toward the handler when he approaches, the exercise is rated “insufficient”. If the dog leaves the helper before the judge gives the signal to step up to the dog or the handler gives a verbal command for the dog to stay on the helper, phase “C” is to be terminated.

#### **7. Attack on the dog out of motion 20 points**

a) **Verbal commands:** “Sitz”/“Sit”, “Stell” or “Voran”/“Pursue” or “Go out”, “Aus”/“Out” and “Fuss”/“Heel”

#### **b) Execution**

Handler and dog are sent to a marked position on the centerline of the field, which is level with the first blind. The dog may be held by the collar but the handler is not allowed to stimulate the dog. At a signal from the judge, the helper, who is equipped with a soft-stick, steps out of the blind and runs toward the centerline. Once the helper has reached the centerline, he turns toward the handler and performs a frontal attack on the handler and the dog without stopping or slowing down, while yelling and making strong threatening motions. As soon as the helper has reached a point approximately 50-40 paces away from the handler and his dog, the handler releases his dog, upon receiving a signal from the judge, with the verbal command “stell” or “voran”/ “pursue” or “go out”. The dog is to counter the attack without hesitation by means of an energetic and strong grip. The dog may only bite the protective sleeve of the helper. The handler is not permitted to leave his position. Upon a signal from the judge, the helper stops the attack. As soon as the helper stands still, the dog must release. The handler may give the command “aus”/“out” on his own within an appropriate time.

If the dog does not release after the first command, the handler may give up to two additional commands, upon receiving a signal from the judge. If the dog does not release after three commands (one permissible and two additional commands), the team is to be disqualified. The handler must stand still, without influencing the dog in any form, while giving the verbal command “aus”/“out”. After the dog releases, the dog must stay close to the helper and guard him attentively. On a signal from the judge, the handler walks at a normal pace directly to his dog and puts the dog in the basic position with the verbal command “fuss”/“heel”. The soft-stick is then taken from the helper.

A side-transport of the helper to the judge, over a distance of approximately 20 paces, follows. A verbal command “fuss”/“heel” is permitted. The dog must walk on the helper’s right side, so that the dog is positioned between the handler and the helper. The dog must watch the helper attentively during the side-transport. However, the dog may not bother, jump on or grip the helper. The group stops in front of the judge. The handler presents the soft-stick to the judge and reports out. Prior to the critique and on the judge’s request, the dog is put on leash.

#### **c) Evaluation**

Deductions can be made accordingly for limitations concerning important evaluation criteria, such as: An energetic defense with a powerful grip, full and calm grip up to the point of release and after the release attentive and close guarding of the helper.

If the dog is slightly inattentive and/or bothers the helper slightly during the guarding phase the exercise will be marked down by one grade. If the dog is guarding the helper very inattentively and /or is bothering the helper intensely, the exercise is marked down by two grades. If the dog is not guarding the helper but stays with him, the exercise is marked down by three grades. If the dog comes toward the handler when he approaches, the exercise is rated “insufficient”. If the dog leaves the helper before the judge gives the signal to step up or the handler gives a command for the dog to stay with the helper, phase “C” is terminated.

#### **SchH/VPG 3**

Is divided into: Phase A 100 points  
Phase B 100 points

Phase C 100 points  
Total: 300 points

### **SchH/VPG 3 phase A**

The track is laid by a stranger, minimum of 600 paces, 5 legs, 4 corners (approximately 90 degrees), 3 articles, must age for at least 60 minutes, allotted time to complete the track is 20 minutes.

Staying on the track:	80 points
Articles (7+7+6):	20 points
Total	100 points

#### **General regulations:**

The judge or the person in charge of tracking determines the course of the track, based upon the layout of the terrain. Varying patterns must be used for the tracks. It is not permitted that the articles and corners on each track are placed at the same distance from each other. The start must be clearly marked with a sign, placed in the ground directly to the left of the scent pad.

After the tracks are laid, the judge draws once more for the starting order.

The tracklayer must show the tracking articles to the judge or the person in charge of tracking, prior to laying the track. Only well-scented articles (scented for at least 30 minutes) may be used. The tracklayer remains for a brief moment on the scent pad and then proceeds at a normal pace in the direction prescribed by the judge. The corners are likewise to be laid at a normal pace. The first article is placed on the track after a minimum of 100 paces on the first or second leg. The second article is placed on the track per the judge's direction. The third article is placed at the end of the track. The articles are to be laid on the track while the tracklayer is in motion. After placing the last article at the end of the track, the tracklayer must proceed to walk straight ahead for a few more paces. Different types of articles are to be used on the same track (Materials: e.g. leather, fabric, wood). The size of the articles may not exceed 10 cm (4") in length, 2-3 cm (3/4" - 1 1/4") in width and 0.5-1 cm (3/16" - 3/8") in thickness. Their color may not stand out considerably from the terrain. Handler and dog must remain out of sight while the track is laid.

While the dog is tracking, the judge and any accompanying persons are not permitted in the area of the track where the team (handler and dog) has the right to track.

#### **a) Verbal commands "Such" / "Seek"**

The verbal command is permitted at the start and after the first and second article.

#### **b) Execution**

The handler prepares the dog for tracking. The dog may track off lead or on a 10 meter (33') tracking line. While tracking, the 10 m tracking line may be placed across the back, on the side or between the front and/or hindquarters of the dog. The tracking line may be attached directly to the collar, on the dead ring, or to the tracking harness. The following types of tracking harnesses are permitted: breast-harness or Böttger-harness without any additional straps. When called, the handler will report to the judge with the dog in the basic position. The handler will inform the judge whether the dog will pick up or indicate the articles. Any compulsion is to be avoided prior to tracking, at the start and during the entire track. Upon a signal from the judge, the dog is taken slowly and calmly to the starting point and is set onto the track. The dog is to take the scent at the start calmly and intensely, with a deep nose. The dog must then proceed to track with a deep nose, maintaining a steady pace. The handler follows his dog at a distance of 10 m at the end of the tracking line. When tracking off lead a distance of 10 m must be maintained as well. A certain amount of slack in the line is permissible, as long as the handler keeps the tracking line in his hand. The dog must work out corners confidently. After working out a corner the dog must continue to track at his regular pace. As soon as the dog reaches an article he must immediately pick-up or indicate the article in a convincing manner, without help from the handler. The dog is permitted to stand, sit or return to the handler when picking-up an article. Moving forward with the article or picking-up the article while lying down is faulty. Indication of the articles may be done by standing, sitting or laying down. It is permitted to alternate. As soon as the dog has indicated or picked up an article, the handler must put down the tracking line and go to his dog. By raising the arm with the article

in his hand, the handler shows that the dog has found the article. Then the handler picks up the tracking line and continues to work out the track with his dog. Upon completion of the track, the handler must show the articles that were found to the judge.

### c) Evaluation

The speed in which the track is worked out does not influence the score, as long as the track is worked out intensely, uniformly and convincingly and the dog shows a positive tracking attitude. A dog's checking is not faulty, as long as the dog does not leave the track. Aimless wandering, a high nose, urination/defecation, circling at the corners, continuous encouragement, leash-guidance or verbal help on the track or at the articles, faulty pick-up/indication of the articles and indication of a false object will cause point deductions. The tracking work is to be terminated if the dog leaves the track by more than one line-length. If the dog starts to leave the track and the handler restrains him from doing so, the judge will instruct the handler to follow his dog. The tracking work is to be terminated if the handler fails to follow the judge's instructions. If the track is not completed within 20 minutes from the time the dog was started, the judge will terminate the tracking work. The performance shown up to the point of termination will be evaluated.

It is faulty if the dog shows both options, in other words, if the dog indicates and picks up the articles during the article work. A score is only given for articles indicated in the manner announced to the judge when the handler reported in. Faulty indication/pick-up of an article affects the rating of the corresponding leg.

No points are given for articles that are not indicated or picked-up.

The distribution of points for each individual leg, for staying on the track, has to reflect the length and the degree of difficulty. Each leg is evaluated in points and ratings. If the dog is not tracking (e.g. lingering in the same place and the dog is not tracking), the judge may terminate the tracking work, even though the dog is still positioned on the track.

### SchH/VPG 3 phase B

Exercise 1:	Free-heeling	10 points
Exercise 2:	Sit out of motion	10 points
Exercise 3:	Down out of motion with recall	10 points
Exercise 4:	Stand out of motion (running)	10 points
Exercise 5:	Retrieve on the flat	10 points
Exercise 6:	Retrieve over the hurdle	15 points
Exercise 7:	Retrieve over the scaling wall	15 points
Exercise 8:	Send-out with down	10 points
Exercise 9:	Long down under distraction	10 points
Total		100 points

### General regulations:

The judge gives the signal for the start of each exercise. Everything else such as about turns, halts, changes of pace, etc. will be carried out without signals from the judge.

The verbal commands are described in the guidelines. Verbal commands are normally spoken, brief commands, consisting of one word. The commands may be given in any language. However, the same command is to be used for the same task at all times. If a dog does not perform the exercise or part of the exercise after receiving three commands, the exercise is to be terminated without a score. For the recall it is permissible to use the dog's name instead of the verbal command "hier"/"come". However, the name of the dog in conjunction with any verbal command is considered a double command.

In the basic position the dog is sitting close and straight on the left side of the handler, with the dog's right shoulder aligned with the handler's knee. Each exercise begins and ends in the basic position. It is permitted to assume the basic position only once at the start of an exercise. Brief praising of the dog is only permitted after an exercise is completed and only in the basic position. Upon praising the dog, the handler may assume a new basic position. However, there must be a distinct pause (approximately 3 seconds) in between praising the dog and starting a new exercise.

An exercise is developed out of the basic position. The handler must show a minimum of 10 paces or a maximum of 15 paces in the build-up, before giving the verbal command for the execution of the exercise. Between all fronts and finishes as well as the part of the exercise where the handler returns to the sitting, standing or laying dog, a distinct pause (approximately 3 seconds) is to be observed before a new verbal command may be given. When the handler returns to the dog, he may step next to the dog from the front or by going around the dog from behind.

Correct free heeling is to be demonstrated at all times, even between exercises. The dog must accompany the handler when he picks up the dumbbell. It is not permitted to play with or pump-up the dog while the handler retrieves the dumbbell.

The handler must execute the about turn as a left about turn. The dog may go around the handler from behind or back up from the front. However, it must be performed in the same manner throughout the trial.

After the sit in front, the dog may perform the finish by going around behind the handler or by executing a flip finish from in front of the handler.

The nonflexible hurdle (no flexible top) is 100 cm (39 ½") high and is 150 cm (59") wide. The scaling wall consists of two parts connected at the top. The two sides of the wall are 150 cm (59") wide and 191 cm (6' 3 ¾") long. The wall is to be positioned on the ground in such a way that the vertical height is 180 cm (5' 10 ¾"). Both sides of the scaling wall must be completely covered with a nonskid material. Three cleats (approximately 24×48 mm (1" × 2")) shall be attached to the upper part. All the dogs entered in a trial must jump over the same obstacles.

In the retrieving exercises dumbbells must be used exclusively (retrieve on the flat 2000g, retrieve over the hurdle and scaling wall 650g). The dumbbells provided by the host club are to be used by all participants. It is not permitted to put the dumbbell in the dog's mouth prior to any of the retrieving exercises.

In case a handler forgets to execute an exercise, the judge will ask the handler to perform the omitted exercise. No points will be deducted for this.

## **1. Free-heeling 10 points**

### **a) Verbal command: "Fuss"/"Heel"**

The handler is permitted to use the verbal command when starting from the basic position and when changing pace.

### **b) Execution**

Before starting the exercise the handler will approach the judge with his free-heeling dog. He makes the dog sit and reports in.

Out of the basic position the dog is to follow the handler attentively, happily and in a straight manner, upon receiving the command "fuss"/"heel" from the handler. The dog's shoulder blade must be aligned with the handler's left knee at all times. When the handler stops, the dog must sit down quickly and straight without any help from the handler. At the start of the exercise the handler and his dog must walk 50 paces in a straight direction, without stopping. After demonstrating the about turn, which is followed by another 10-15 paces, the handler must show a fast and slow pace (at least 10 paces each). The transition from fast pace to slow pace is to be performed without any transitional steps in between. The two different paces must be distinctly different in speed. Then, at a normal pace, the handler performs at least one right turn, one left turn and one about turn. A halt from a normal pace must be performed at least once. While the handler and his dog are walking down the first straight leg, two shots are fired (caliber 6 mm), five seconds apart. The shots are fired from a distance of at least 15 paces from the dog. The dog must show himself indifferent to the gunshots. On instruction by the judge, at the end of the exercise, the handler and the dog walk through a moving group, consisting of at least four people. In the group, the handler must heel the dog around two persons, once to the left and once to the right. The handler must come to a halt at least once in the group. The judge is entitled to ask the handler to repeat the exercise. The handler and the dog leave the group and assume the basic position.

**c) Evaluation**

Deduction can be made accordingly for forging, heeling wide, lagging, slow or hesitant sits, additional commands, body-help from the handler, inattentiveness during heeling at all paces and all turns, and/or an unhappy working attitude of the dog.

**2. Sit out of motion 10 points**

**a) Verbal commands:** “Fuss”/”Heel” and “Sitz”/”Sit”

**b) Execution**

From a straight basic position the handler walks in a straight direction with his free-heeling dog. After 10-15 paces, the handler gives the verbal command “sitz”/”sit” and the dog must sit quickly and straight (in the direction of movement) without the handler stopping, altering his pace or looking back at the dog. The handler goes on another 30 paces, then stops and turns immediately to face his calmly sitting dog. At the judge’s signal the handler returns to the dog and positions himself on the dog’s right side.

**c) Evaluation**

Deduction can be made accordingly for a faulty build-up, a slow sit, restless and inattentive sitting. Five points will be deducted if the dog downs or stands.

**3. Down with recall 10 points**

**a) Verbal commands:** “Fuss”/”Heel”, “Platz”/”Down”, “Hier”/”Come” (or call name of the dog) and “Fuss”/”Heel” (for the finish)

**b) Execution**

From a straight basic position the handler moves forward in a straight direction with his free-heeling dog. After 10-15 steps at a normal pace, followed by 10-15 paces at a running pace, the handler gives the dog the verbal command “platz”/”down”. The dog must down quickly and straight (in the direction of movement) without the handler stopping, altering his pace or looking back at the dog. The handler goes on another 30 paces, then stops and immediately turns around to face his calmly laying dog. At the judge’s signal he recalls the dog using the command “hier”/”come” or the dog’s name. The dog must come in happily, quickly and directly and must sit closely and straight in front of the handler. On the verbal command “fuss”/ “heel”, the dog must quickly go into the basic position, whereas the dog’s shoulder blade must be aligned with the handler’s knee.

**c) Evaluation**

Deductions can be made accordingly for a faulty build-up, slow down, restlessness, slow coming in or slowing down while approaching the handler, splay-legged stance of the handler, faulty sit in front of the handler and a faulty finish. If the dog stands or sits after receiving the command, 5 points will be deducted.

**4. Stand out of motion (running) 10 points**

**a) Verbal commands:** “Fuss”/”Heel”, “Steh”/”Stand” and “Sitz”/”Sit”

**b) Execution**

From a straight basic position the handler moves forward at a running pace and in a straight direction with his free-heeling dog. After 10-15 paces (running), the handler gives the dog the verbal command “steh”/”stand”. The dog must come to a stand immediately and in the direction of movement (straight) without the handler stopping, altering his pace or looking back at the dog. The handler goes on another 30 paces, then stops and immediately turns around to face his calmly standing dog. At the judge’s signal he recalls the dog using the command “hier”/”come” or the dog’s name. The dog must come in happily, quickly and directly and must sit closely and straight in front of the handler. On the verbal command “fuss”/ “heel”, the dog must quickly go into the basic position, whereas the dog’s shoulder blade must be aligned with the handler’s knee.

**c) Evaluation**

Deductions can be made accordingly for a faulty build-up, taking additional steps upon receiving the command, restless standing, following the handler, slow coming in or slowing down while approaching the handler, splay-

legged stance of the handler, faulty sit in front of the handler and a faulty finish. If the dog lays down or sits after receiving the command, 5 points will be deducted.

**5. Retrieve on the flat 10 points**

a) **Verbal commands:** “Bring”/“Fetch”, “Aus”/“Out” and “Fuss”/“Heel”

**b) Execution**

From a straight basic position the handler throws a dumbbell (weight: 2000g) over a distance of about 10 paces. The verbal command “bring”/“fetch” is not to be given until the dumbbell lies completely still. The dog sits calmly and off lead next to the handler. Upon receiving the verbal command “bring”/“fetch”, the dog is to run quickly and directly to the dumbbell, pick it up immediately and bring it to the handler quickly and directly. The dog is to sit closely and straight in front of the handler. The dog is to hold the dumbbell calmly in his mouth until the handler, after a pause of approximately 3 seconds, gives the command “aus”/“out” and takes the dumbbell away. The handler must hold the dumbbell calmly in his right hand, with the right arm stretched-out alongside his body. On the verbal command “fuss”/“heel”, the dog must quickly go into the basic position and sit straight on the handler’s left side. The dog’s shoulder blade must be aligned with the handler’s knee. The handler is not permitted to change his position during the entire exercise.

**c) Evaluation**

Deductions can be made accordingly for a faulty basic position, slow go-out, faulty pick-up, slow coming back, dropping of the dumbbell, playing with the dumbbell or mouthing, splay-legged stance of the handler, faulty sit in front and a faulty finish. Throwing the dumbbell too short of a distance as well as handler help without the handler changing his position, leads to point deductions. If the handler leaves his position before the exercise is finished, the exercise will be rated “insufficient”. If the dog does not retrieve, 0 points are given for the exercise.

**6. Retrieve over the hurdle (100 cm) 15 points**

a) **Verbal commands:** “Hopp”/“Jump”, “Bring”/“Fetch”, “Aus”/“Out” and “Fuss”/“Heel”

**b) Execution**

Handler and dog assume the basic position at least 5 paces in front of the hurdle. From the straight basic position the handler throws the dumbbell (weight: 650 g) over the 100 cm high hurdle. The verbal command “hopp”/“jump” is not to be given until the dumbbell lies completely still. The dog sits calmly and off lead next to the handler. Upon receiving the verbal commands “hopp”/“jump” and “bring”/“fetch” (the command “bring”/“fetch” must be given while the dog is jumping over the hurdle) the dog is to jump over the hurdle, run quickly and directly to the dumbbell, pick it up immediately, then turn around and jump over the hurdle and return the dumbbell to the handler quickly and directly. The dog is to sit closely and straight in front of the handler. The dog is to hold the dumbbell calmly in his mouth. After a pause of approximately 3 seconds, the handler gives the command “aus”/“out” and takes the dumbbell from the dog. The handler must hold the dumbbell calmly in his right hand, with the right arm stretched out alongside his body. On the verbal command “fuss”/“heel”, the dog must quickly go into the basic position and sit quickly and straight on the handlers left side. The dog’s shoulder blade must be aligned with the handler’s knee. The handler is not permitted to change his position during the entire exercise.

**c) Evaluation**

Deductions can be made accordingly for a faulty basic position, slow jump and go-out, faulty pick-up, slow return jump, dropping of the dumbbell, playing with the dumbbell or mouthing, splay-legged stance of the handler, faulty sit in front and a faulty finish. For touching of the hurdle 1 point must be deducted per jump and for stepping on the hurdle up to 2 points.

Distribution of points for the retrieve over the hurdle:

Going-out jump	Retrieve	Return-jump
----------------	----------	-------------

5 points	5 points	5 points
----------	----------	----------

A partial score for the exercise is only possible if at least two out of the three parts of the exercise (going-out jump – retrieve – return jump) are completed.

Both jumps perfect, retrieve without faults	15 points
One jump refused, retrieve without faults	10 points
Both jumps perfect, dumbbell not retrieved	10 points

If the dumbbell lands considerably over to one side or is poorly visible for the dog, the handler may ask the judge for a re-throw, or the judge may suggest a re-throw. No point deduction will result from this. The dog must remain in the sitting position while this is going on.

Any handler-help, without changing position, leads to corresponding point deductions. If the handler leaves his position before the exercise is completed, the exercise will be rated “insufficient” (0-10 points).

## 7. Retrieve over the scaling wall (180 cm) 15 points

a) **Verbal commands:** “Hopp”/”Jump”, “Bring”/”Fetch”, “Aus”/”Out” and “Fuss”/”Heel”

### b) Execution

Handler and dog assume the basic position at least 5 paces in front of the scaling wall. From the straight basic position the handler throws the dumbbell (650 g) over the scaling wall. The dog sits calmly and off lead next to the handler. Upon receiving the verbal command “hopp”/”jump” and “bring”/”fetch” (the command “bring”/”fetch” is to be given while the dog is climbing over the wall) the dog must climb over the wall, run quickly and directly to the dumbbell, pick it up immediately, turn around and immediately climb back over the scaling wall and return the dumbbell quickly and directly to the handler. The dog is to sit closely and straight in front of the handler. The dog is to hold the dumbbell calmly in his mouth. After a pause of approximately 3 seconds, the handler gives the command “aus”/”out” and takes the dumbbell from the dog. The handler must hold the dumbbell calmly in his right hand, with the right arm stretched out alongside his body. On the verbal command “fuss”/”heel”, the dog must quickly go into the basic position and sit quickly and straight on the handlers left side. The dog’s shoulder blade must be aligned with the handler’s knee. The handler is not permitted to change his position during the entire exercise.

### c) Evaluation

Deductions can be made accordingly for a faulty basic position, slow jump and go-out, faulty pick-up, slow return-jump, dropping the dumbbell, playing with the dumbbell or mouthing, splay-legged stance of the handler, faulty sit in front and a faulty finish.

Distribution of points for the retrieve over the scaling wall:

Going-out jump	Retrieve	Return-jump
5 points	5 points	5 points

A partial score for the exercise is only possible if at least two out of the three parts of the exercise (going-out jump – retrieve – return-jump) were completed.

Both jumps and retrieve without faults	=	15 points
One jump refused, retrieve without faults	=	10 points
Both jumps perfect, dumbbell not retrieved	=	10 points

If the dumbbell lands considerably over to one side or is poorly visible for the dog, the handler may ask the judge for a re-throw, or the judge may suggest a re-throw. No point deduction will result from this. The dog must remain in the sitting position while this is going on.

Any handler-help, without changing position, leads to corresponding point deductions. If the handler leaves his position before the exercise is completed, the exercise will be rated “insufficient”.

## 8. Send-out with down 10 points

a) **Verbal commands:** “Fuss”/”Heel”, “Voraus”/”Go-out”, “Platz”/”Down” and “Sitz”/”Sit”

### b) Execution

From a straight basic position the handler walks with his free-heeling dog in the direction prescribed by the judge. After 10-15 paces the handler gives the dog the verbal command “voraus”/”go-out”. Simultaneously the handler raises his arm (only once) and stops. The dog must go-out purposefully, at a fast pace and in a straight line, at least 30 paces in the indicated direction. On the judge’s signal, the handler gives the verbal command “platz”/”down”. The dog must down immediately. The handler may keep his arm raised until the dog assumes the down position. On the judge’s signal, the handler returns to his dog and positions himself on the dog’s right side. After about three seconds, upon receiving a signal from the judge, the handler gives the dog the command “sitz”/”sit” and the dog must sit up quickly and straight into the basic position.

### c) Evaluation

Deductions can be made accordingly for a faulty build-up, the handler following the dog, the dog going-out too slowly, strong deviation to the side, too short of a distance, premature or hesitant downing, restless laying down or standing-up/sitting-up prematurely when the handler picks-up the dog.

## 9. Long down under distraction 10 points

a) **Verbal commands:** “Fuss”/”Heel”, “Platz”/”Down” and “Sitz”/”Sit”

### b) Execution

At the start of another dog’s obedience exercise in phase “B”, the handler downs his dog with the verbal command “platz”/”down”, out of a straight basic position, in a spot designated by the judge, without leaving the leash or any other type of object with the dog. Then, the handler walks about 30 paces away within the boundaries of the training field, without turning around to the dog, and moves out of sight. The dog must remain calmly in the down position without any influence from the handler, while the other dog is executing exercises 1 – 7. On the judge’s signal, the handler returns to his dog and positions himself on the dog’s right side. After a brief pause of approximately 3 seconds and a signal from the judge, the dog receives the command “sitz”/”sit”. The dog is to sit up quickly and straight into the basic position.

### c) Evaluation

Deductions can be made accordingly for restless behavior of the handler or other hidden handler-help, restless lying down of the dog, or premature standing-up/sitting-up of the dog when the handler returns. If the dog sits-up or is standing but remains in the designated area, partial points will be given. If the dog removes himself from the designated area by more than 3 meters before the other dog has completed exercise #5, 0 points will be given for this exercise. If the dog leaves the designated area after exercise #5 is completed, partial points will be given. If the dog walks toward the handler when the handler returns to the dog, up to 3 points may be deducted.

## SchH/VPG 3 Phase C

Exercise 1:	Search for the helper	10 points
Exercise 2:	Hold and bark	10 points
Exercise 3:	Prevention of an attempted escape of the helper	10 points
Exercise 4:	Defense against an attack during the guarding phase	20 points
Exercise 5:	Back-transport	5 points
Exercise 6:	Attack on the dog out of the back-transport	15 points
Exercise 7:	Attack on the dog out of motion	10 points
Exercise 8:	Defense against an attack during the guarding phase	20 points
Total		100 points

## General regulations:

In a suitable location six blinds are to be set up along the length of the field, in a staggered fashion, three on each side (see diagram). The necessary markings must be clearly visible for the handler, the judge and the helper.

The helper must be equipped with a protective suit, sleeve and soft-stick. The sleeve must be equipped with a bite-bar and the sleeve-cover must be made from burlap (jute) in a natural color. If it is necessary for the helper to keep a close eye on the dog during the guarding phase, the helper is not required to stand still, although he is not permitted to make any threatening or defensive motions. The helper must protect his body with the sleeve. It is up to the handler in which manner he chooses to take the soft-stick away from the helper (disarming of the helper). (See also “Helper Regulations”)

It is possible to work with only one helper at all trial levels. If seven dogs or more are entered in a trial, two helpers should be employed. All dogs that are shown at the same trial level must be worked by the same helper.

Dogs that are out of control, that after a defense exercise do not release or release only after the handler takes physical measures (touching), that bite any other part of the helper’s body than the protective sleeve, must be disqualified. No TSB rating is given.

For dogs that fail during a defense exercise or get chased away, phase “C” is to be terminated. The dog does not receive a rating in the protection phase. However, the dog must receive a TSB rating.

The verbal command “aus”/”out” is permitted one time in all defense exercises. The evaluation of the “out” is shown in the table below:

Slow out	First additional command followed by immediate out	First additional command followed by slow out	Second additional command followed by immediate out	Second additional command followed by slow out	No out after second additional command or additional influence
0.5 – 3.0	3.0	3.5 – 6.0	6.0	6.5 – 9.0	Disqualification

**1. Search for the helper 10 points**

a) **Verbal commands:** “Voran” or “Revier”, “Hier”/ “Go-ahead” or “Search”, “Hier”/”Come”  
 (The command ”hier”/”come” may be given in conjunction with the dog’s name)

**b) Execution**

The helper is located in the last blind, out of the dog’s sight. The handler and his free-heeling dog are facing the first blind prior to starting the blind-search, so that six side-sweeps are possible. On the judge’s signal phase “C” begins. After the handler gives the verbal command “revier”/”search” in conjunction with a visual command, which is executed with either the right or left arm and may be repeated, the dog must quickly leave the handler and approach the designated blind. The dog must run around the blind closely and attentively. As soon as the dog has performed one side-sweep, the handler gives the dog the command “hier”/”come” (it is permissible to use the dog’s name in conjunction with the command) and sends the dog, while the handler is in motion, with the command “revier”/”search” into the next blind. The handler is moving at a normal pace down the imaginary centerline. The handler is not permitted to leave this imaginary line during the search exercise. The dog must be in front of the handler at all times. When the dog reaches the find-blind, the handler is required to stand still. At this point no further verbal commands are permitted.

**c) Evaluation**

Deductions can be made accordingly for limitations concerning control, the fast and purposeful approach of the blinds as well as the close and attentive circling of the blinds.

**2. Hold and bark 10 points**

**a) Verbal commands:** “Hier”/”Come” and “Fuss”/”Heel”

**b) Execution**

The dog must confront the helper actively and attentively and bark continuously. The dog is not permitted to jump on or bite the helper. After the dog has barked for approximately 20 seconds, the handler approaches the blind upon receiving a signal from the judge and stops about 5 paces away from it. On the judge’s signal, the handler calls his dog out of the blind into the basic position.

**c) Evaluation**

Deductions can be made accordingly for limitations regarding the continuous and persistent barking and powerful holding, uninfluenced by the judge or the approaching handler until the command is given. Five points are given for continuous barking. 2 points are to be deducted for weak barking. If the dog is not barking but is guarding the helper actively, attentively and closely 5 points are deducted. Bothering of the helper, such as bumping, jumping up on the helper, etc. leads to a deduction of up to 2 points. Up to 9 points may be deducted for heavy gripping. If the dog leaves the helper before the handler receives the signal from the judge to leave the centerline, the dog may be sent into the find-blind a second time. If the dog stays with the helper this time, phase “C” may be continued, although the hold and bark exercise is to be rated “insufficient” If the dog refuses or leaves the helper again, phase “C” is to be terminated. If the dog comes to the handler when he approaches the blind or the dog returns to the handler prior to receiving the verbal command, a partial score is given reflecting a rating of “insufficient”.

**3. Prevention of an attempted escape of the helper 10 points**

**a) Verbal commands:** “Fuss”/”Heel”, “Platz”/”Down” and “Aus”/”Out”

**b) Execution**

Upon a signal from the judge, the handler orders the helper to step out of the blind. The helper moves at a normal pace to the designated (marked) location for the escape. On a signal from the judge, the handler moves with his free-heeling dog to the designated (marked) spot for the down prior to the escape. The distance between the dog and the helper is 5 paces. The handler leaves his guarding dog in the down position and moves into the blind, maintaining visual contact with the dog, the judge and the helper. On the judge’s signal the helper tries to escape. The dog must immediately and independently prevent the escape effectively and without hesitation, by means of an energetic and strong grip. The dog may only bite the protective sleeve of the helper. On a signal from the judge the helper stands still. When the helper comes to a standstill, the dog must release immediately. The handler may give the verbal command “aus”/”out” on his own within an appropriate time.

If the dog does not release after the first command, the handler may give up to two additional commands “aus”/”out”, upon receiving a signal from the judge. If the dog does not release after having received three commands (one permissible and two additional commands), the team is to be disqualified. The handler must stand still, without influencing the dog in any way, while giving the command. After the release, the dog must stay close to the helper and guard him attentively.

**c) Evaluation**

Deductions can be made accordingly for limitations regarding important evaluation criteria, such as: A fast and energetic response and pursuit in conjunction with a powerful grip and effective prevention of the escape, full and calm grip until the release, attentive and close guarding of the helper. If the dog remains in the down position or has not prevented the escape by means of biting and holding the grip, before the helper has taken about 20 steps, phase “C” is to be terminated.

If the dog is slightly inattentive and/or bothers the helper slightly during the guarding phase, the exercise will be marked down by one grade. If the dog is guarding the helper very inattentively and/or is bothering the helper intensely, the exercise is marked down by two grades. If the dog is not guarding the helper but stays with him, the exercise is marked down by three grades. If the dog leaves the helper or if the handler gives a verbal command for the dog to stay with the helper, phase “C” is to be terminated.

**4. Defense against an attack during the guarding phase 20 points**

**a) Verbal commands:** “Aus”/”Out” and “Fuss”/”Heel”

**b) Execution**

After a guarding phase of about 5 seconds and upon a signal from the judge, the helper performs an attack on the dog. Without any influence from the handler, the dog must defend himself through energetic and powerful gripping. The dog may only bite the protective sleeve of the helper. As soon as the dog has a grip on the sleeve, the helper applies two stick-hits. Hits may only be applied to the shoulders and the area of the withers. Upon a signal from the judge, the helper stands still. After the helper has stopped the attack and is standing still, the dog must release immediately. The handler may give a verbal command “aus”/”out” on his own, within an appropriate time.

If the dog does not release after the first permissible command, the handler may give up to two additional commands, upon receiving a signal from the judge. If the dog does not release after three commands (one permissible and two additional commands), the team is to be disqualified. The handler must stand still, without influencing the dog in any form, while giving the verbal command “aus”/”out”. After the dog releases, the dog must stay close to the helper and guard him attentively. Upon a signal from the judge, the handler walks directly to his dog at a normal pace and with the verbal command “fuss”/”heel” puts the dog in the basic position. The soft-stick is not taken from the helper.

**c) Evaluation**

Deductions can be made accordingly for limitations concerning important evaluation criteria, such as: A fast and powerful response (by means of a strong bite), full and calm grip until the release, attentive and close guarding of the helper after the release.

If the dog is slightly inattentive and/or bothers the helper slightly during the guarding phase, the exercise will be marked down by one grade. If the dog is guarding the helper very inattentively and/or is bothering the helper intensely, the exercise is marked down by two grades. If the dog is not guarding the helper but stays with him, the exercise is marked down by three grades. If the dog comes toward the handler when he approaches, the exercise is rated “insufficient”. If the dog leaves the helper before the judge gives the signal to step up or the handler gives a command for the dog to stay with the helper, phase “C” is terminated.

**5. Back-transport 5 points**

**a) Verbal command:** “Fuss”/”Heel”

**b) Execution**

Exercise 4 is followed by the back-transport of the helper over a distance of approximately 30 paces. The judge determines the course of the back-transport. The handler instructs the helper to start walking. The handler follows the helper with his free-heeling dog that is also watching the helper attentively, at a distance of approximately 5 paces. The distance of 5 paces to the helper must be maintained throughout the entire back-transport.

**c) Evaluation**

Deductions can be made accordingly for limitations regarding important evaluation criteria: Watching the helper attentively, exact heeling, maintaining a distance of 5 paces to the helper.

**6. Attack on the dog out of the back-transport 15 points**

**a) Verbal commands:** “Aus”/”Out” and “Fuss”/”Heel”

**b) Execution**

On a signal from the judge, without stopping, an attack is performed on the dog out of the back-transport. Without any influence from the handler and without hesitation, the dog is to counter the attack by means of an energetic and powerful grip. The dog may only bite the protective sleeve of the helper. As soon as the dog has a grip on the sleeve, the handler must stand still. On a signal from the judge, the helper stops the attack. As soon

as the helper stops, the dog must release immediately. The handler may give a verbal command “aus”/”out” on his own within an appropriate time.

If the dog does not release after the first command, the handler may give up to two additional commands, upon receiving a signal from the judge. If the dog does not release after three commands (one permissible and two additional commands), the team is to be disqualified. The handler must stand still, without influencing the dog in any form, while giving the verbal command “aus”/”out”. After the dog releases, the dog must stay close to the helper and guard him attentively. On a signal from the judge, the handler walks at a normal pace directly to his dog and takes the dog in the basic position with the verbal command “fuss”/”heel”. The soft-stick is taken from the helper.

A side-transport of the helper to the judge, over a distance of approximately 20 paces, follows. A verbal command “fuss”/”heel” is permitted. The dog must walk on the helper’s right side, so that the dog is positioned between the handler and the helper. The dog must watch the helper attentively during the side-transport. However, the dog may not bother, jump on or grip the helper. The group stops in front of the judge. The handler presents the soft-stick to the judge and declares the first part of phase “C” completed.

### **c) Evaluation**

Deductions can be made accordingly for limitations regarding important evaluation criteria: Fast and powerful response (by means of a strong bite), full and calm grip until the release, attentive and close guarding of the helper after the release.

If the dog is slightly inattentive and/or bothers the helper slightly during the guarding phase the exercise will be marked down by one grade. If the dog is guarding the helper very inattentively and/or is bothering the helper intensely, the exercise is marked down by two grades. If the dog is not guarding the helper but stays with him, the exercise is marked down by three grades. If the dog comes toward the handler when he approaches, the exercise is rated “insufficient”. If the dog leaves the helper before the judge gives the signal to step up to the dog or the handler gives a verbal command for the dog to stay on the helper, phase “C” is to be terminated.

## **7. Attack on the dog out of motion 10 points**

**a) Verbal commands:** “Sitz”/”Sit”, “Stell” or “Voran”/”Pursue” or “Go out”, “Aus”/”Out”

### **b) Execution**

Handler and dog are sent to a marked position on the centerline of the field, which is level with the first blind. The dog may be held by the collar but the handler is not allowed to stimulate the dog. At a signal from the judge, the helper, who is equipped with a soft-stick, steps out of the blind and runs toward the centerline. Once the helper has reached the centerline, he turns toward the handler and performs a frontal attack on the handler and the dog without stopping or slowing down, while yelling and making strong threatening motions. As soon as the helper has reached a point approximately 60 paces away from the handler and his dog, the handler releases his dog, upon receiving a signal from the judge, with the verbal command “stell” or “voran”/ “pursue” or “go out”. The dog is to counter the attack without hesitation by means of an energetic and strong grip. The dog may only bite the protective sleeve of the helper. The handler is not permitted to leave his position. Upon a signal from the judge, the helper stops the attack. As soon as the helper stands still, the dog must release. The handler may give the command “aus”/”out” on his own within an appropriate time.

If the dog does not release after the first command, the handler may give up to two additional commands, upon receiving a signal from the judge. If the dog does not release after three commands (one permissible and two additional commands), the team is to be disqualified. The handler must stand still, without influencing the dog in any form, while giving the verbal command “aus”/”out”. After the dog releases, the dog must stay close to the helper and guard him attentively.

### **c) Evaluation**

Deductions can be made accordingly for limitations regarding important evaluation criteria: Fast and powerful defense by means of a strong bite, full and calm grip until the release, attentive and close guarding of the helper after the release.

If the dog is slightly inattentive and/or bothers the helper slightly during the guarding phase the exercise will be marked down by one grade. If the dog is guarding the helper very inattentively and /or is bothering the helper intensely, the exercise is marked down by two grades. If the dog is not guarding the helper but stays with him, the exercise is marked down by three grades. If the dog leaves the helper or the handler gives a command for the dog to stay with the helper, phase “C” is terminated.

## **8. Defense against an attack during the guarding phase 20 points**

**a) Verbal commands:** “Aus”/”Out”, “Sitz”/”Sit” and “Fuss”/”Heel”

### **b) Execution**

After a guarding phase of about 5 seconds and upon a signal from the judge, the helper performs an attack on the dog. Without any influence from the handler, the dog must defend himself through energetic and powerful gripping. The dog may only bite the protective sleeve of the helper. As soon as the dog has a grip on the sleeve, the helper applies two stick-hits. Hits may only be applied to the shoulders and the area of the withers. Upon a signal from the judge, the helper stands still. After the helper has stopped the attack and is standing still, the dog must release immediately. The handler may give a verbal command “aus”/”out” within an appropriate time on his own.

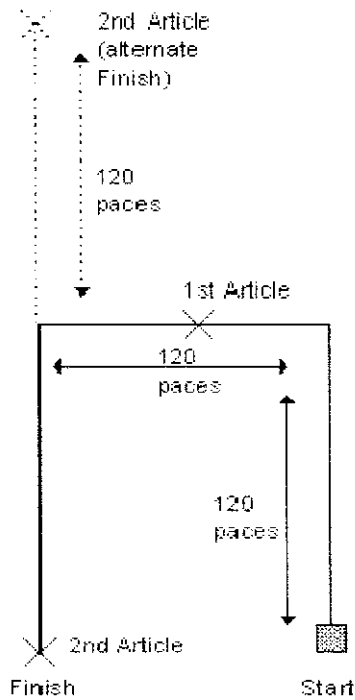
If the dog does not release after the first permissible command, the handler may give up to two additional commands, upon receiving a signal from the judge. If the dog does not release after three commands (one permissible and two additional commands), the team is to be disqualified. The handler must stand still without influencing the dog in any form, while giving the verbal command “aus”/”out”. After the dog releases, the dog must stay close to the helper and guard him attentively. Upon a signal from the judge, the handler walks directly to his dog at a normal pace and with the verbal command “fuss”/”heel” puts the dog in the basic position. The soft-stick is taken from the helper.

A side-transport of the helper to the judge, over a distance of approximately 20 paces, follows. A verbal command “fuss”/”heel” is permitted. The dog must walk on the helper’s right side, so that the dog is positioned between the handler and the helper. The dog must watch the helper attentively during the side-transport. However, the dog may not bother, jump on or grip the helper. The group stops in front of the judge. The handler presents the soft-stick to the judge and reports phase “C” completed. Prior to the critique and upon the judge’s request, the dog is put on leash.

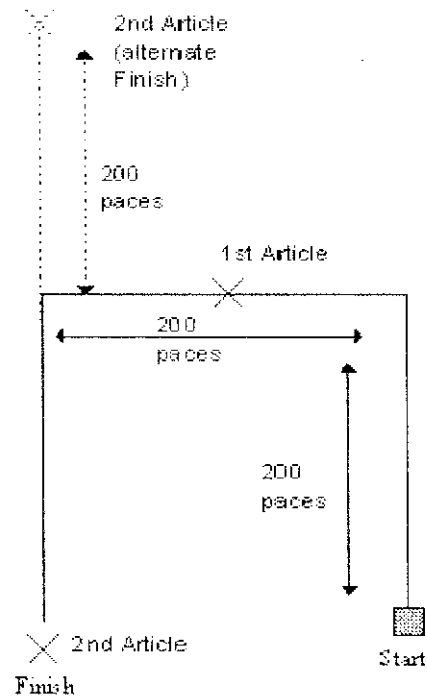
### **c) Evaluation**

Deduction can be made accordingly concerning important evaluation criteria: Fast and powerful response (by means of a strong bite), full and calm grip until the release, attentive and close guarding of the helper after the release.

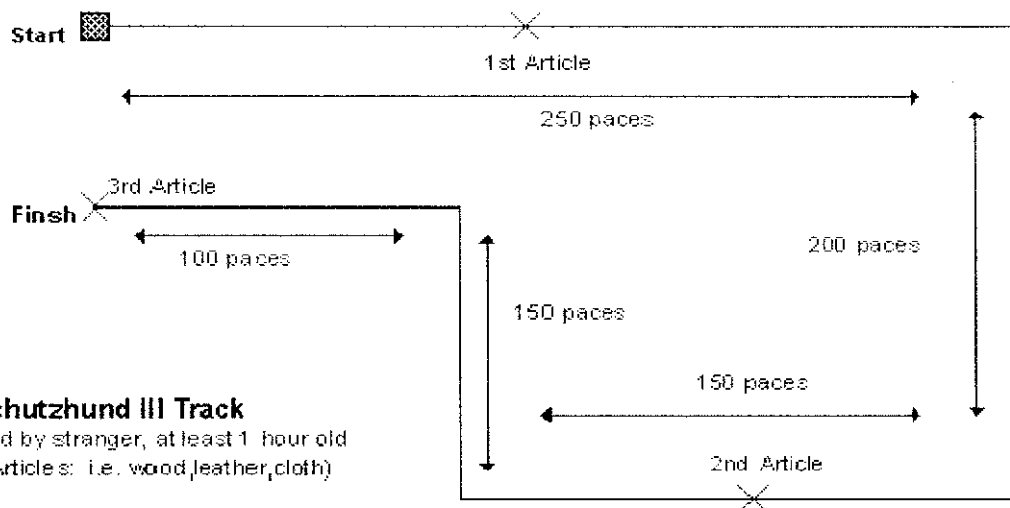
If the dog is slightly inattentive and/or bothers the helper slightly during the guarding phase, the exercise will be marked down by one grade. If the dog is guarding the helper very inattentively and/or is bothering the helper intensely, the exercise is marked down by two grades. If the dog is not guarding the helper but stays with him, the exercise is marked down by three grades. If the dog comes toward the handler when he approaches, the exercise is rated “insufficient”. If the dog leaves the helper before the judge gives the signal to step up or the handler gives a command for the dog to stay on the helper, phase “C” is terminated.



**Schutzhund I Track**  
(you lay your own track  
at least 20 min. old)



**Schutzhund II Track**  
(laid by stranger  
at least 30 min. old)



**Schutzhund III Track**  
(laid by stranger, at least 1 hour old  
3 Article: i.e. wood, leather, cloth)

# The Required Trial Heeling Pattern

Pattern may be worked with the turns in the opposite direction

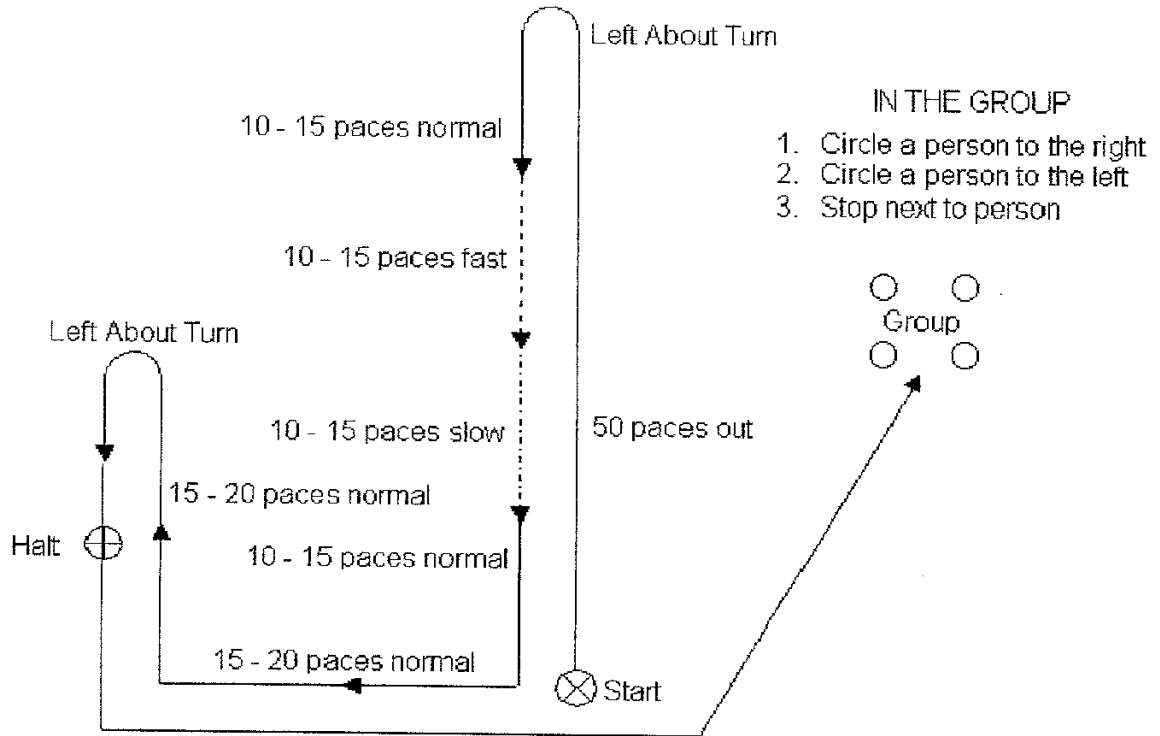


EXHIBIT B

# One Meter Jump

As of April 1, 2004 the top of the jump must be rigid.

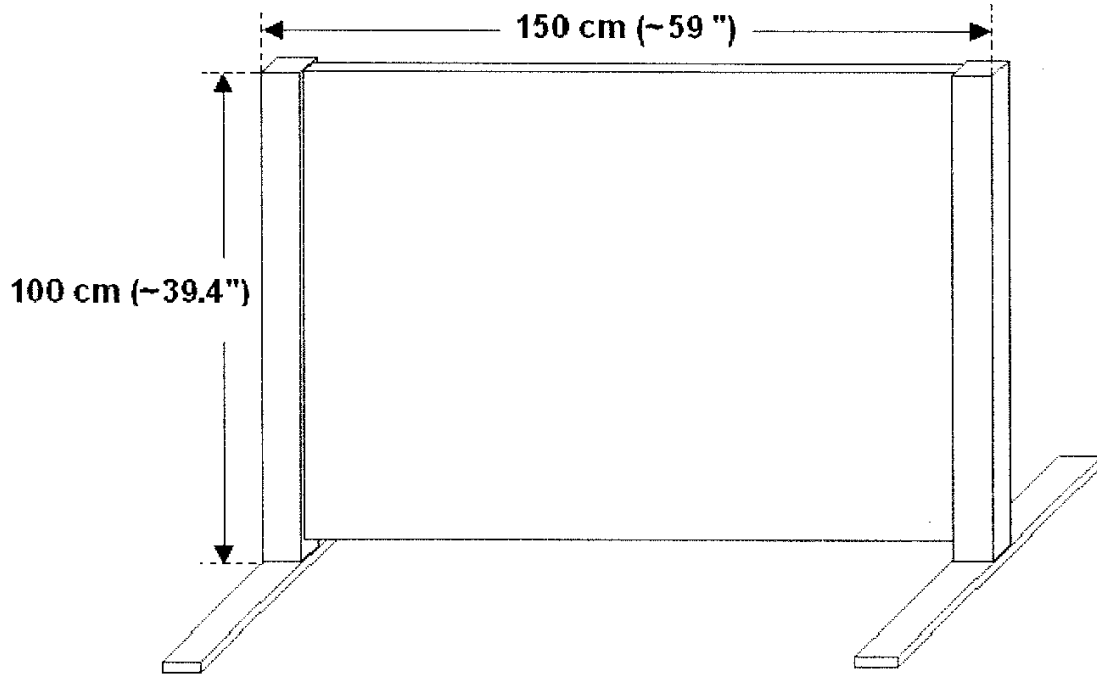
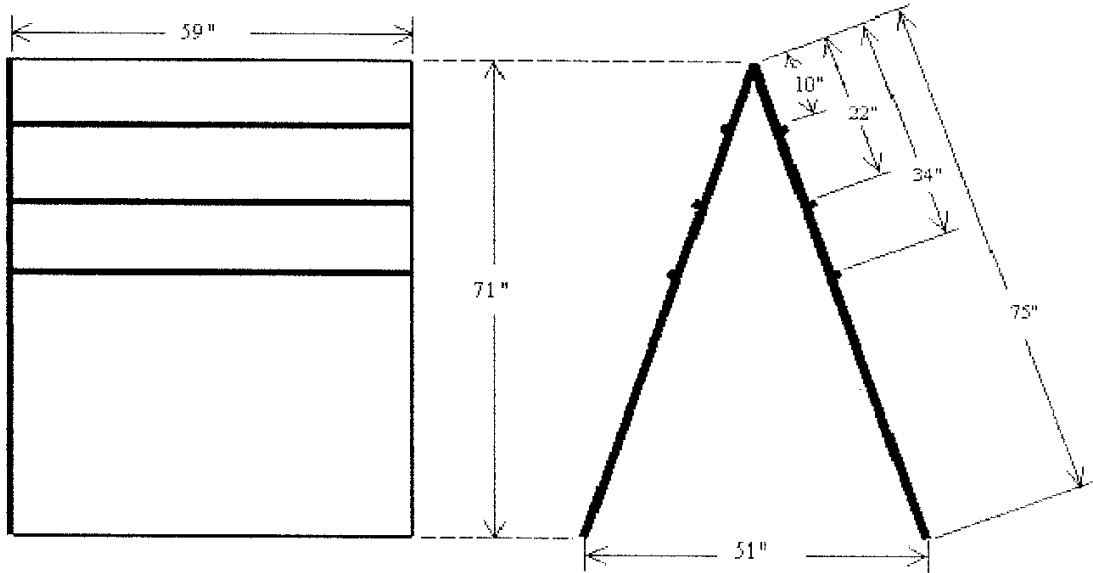


EXHIBIT C

# Scaling Wall



Size of cleats: 2.4 cm x 4.8 cm (approx. 1" x 2")

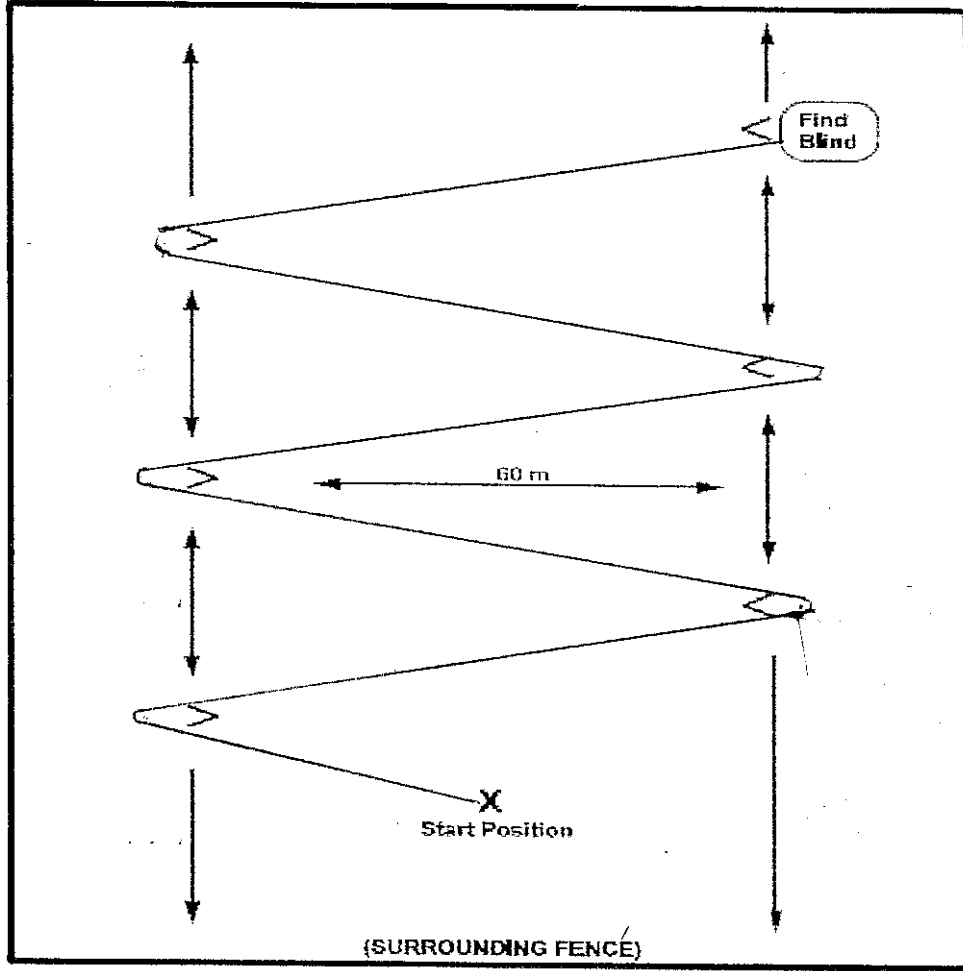


EXHIBIT E

## V. TRACKING DOG TEST

### Level 1 - FH1

Maximum points	100	Verbal command "Such"/"Seek"
Staying on the track	80 points	
4 articles (4 x 5)	20 points	

#### 1. Entry requirements

The dog must be at least 18 months old and must have passed the BH/VT Examination.

#### 2. Performance requirements

The dog must prove his tracking ability by working out a track that is at least 1,200 paces long, has aged for a minimum of 3 hours and is laid by a stranger. The track includes 6 right corners, whereas the corners may be adjusted according to the layout of the terrain. The track is intersected at least two times by a cross-track, which is fresher than the actual track and is also put in by a stranger. The points where the cross track intersects the main track may not be too close to each other. 4 articles are placed at irregular intervals on the track. The tracklayer must have carried the articles for at least 30 minutes in his pocket so that they are adequately scented with the tracklayer's scent. Different types of articles must be used on the track (materials: Leather, fabric, wood). The size of the articles may not exceed 10cm (4") in length, 2-3cm in width and 0.5-1cm in thickness. Their color may not stand out considerably from the terrain. All articles are to be marked with numbers. The numbers on the articles must coincide with the numbers on the starting flags (markers). The dog must find the articles and pick them up or indicate them.

Prior to the start of the exercise, the handler must inform the judge whether the dog indicates or picks-up the articles. It is faulty if the dog shows both options, in other words, picking-up in conjunction with indicating the article is faulty. Points are only given for articles that are pointed out in the manner that was announced to the judge when the handler reported in (indicated or picked-up).

It is the handler's decision to track the dog on a tracking leash or off leash.

It is permissible for the tracking leash to have some slack in it, as long as the handler keeps the leash in his hand.

#### 3. Laying of the track

The tracklayer, who is a stranger to the dog, receives a diagram of the terrain from the judge or the tracking coordinator. The diagram shows the track that is to be laid, using trees, electricity pylons, buildings, etc. as orientation points. Prior to laying the track, the tracklayer shows the 4 articles to the judge. A marker is placed in the ground to the left of the starting point (scent pad) and must remain there until the track is completed. The tracklayer remains for a moment on the scent pad and then walks in the direction prescribed by the judge.

The articles are to be placed on the track at irregular intervals. The first article must be placed at least 250 paces from the start. The fourth (last article) is placed at the end of the track. It is not permissible to place articles at corners or in the close vicinity of corners. Articles should not be placed next to the track but directly on the track. The tracklayer must mark the location of each article with an "X" on the diagram.

It is very important that the track is laid over changing terrain and across a paved and traveled roadway. The track must be laid in such a fashion that it reflects realistic conditions. Any type of pattern must be avoided.

30 minutes after the tracklayer has laid the track, a second person (also a stranger to the dog) is instructed by the judge to lay a cross-track. The cross-track must cut across the main track two times (not across the first or last leg). The judge determines where the cross-track is put in.

#### 4. Working out the track

The dog must be given the opportunity to fully pick up the scent at the start. The dog must be trained in such a way that he starts to track calmly and if possible without influence from the handler (the verbal command "such"/"seek" is permitted). Under no circumstances may the handler use his hand and encourage the dog to

charge forward. If the handler is under the impression that the dog has not adequately picked up the scent, it is at the handler's discretion to restart the dog. However, a restart is only permitted if the dog has not moved more than 15 paces away from the starting point (scent pad). Mandatory 4 Points will be deducted for this.

The track is to be worked out calmly so that the handler is able to follow his dog at a walking pace. As soon as the dog reaches an article, the dog must immediately and confidently pick-up or indicate the article. The dog may sit, down or stand when indicating an article. The handler must then immediately walk to his dog and, after raising the hand with the article, he puts it in his pocket. The handler praises the dog and continues to track. Should the dog come across an article that was not placed on the track by the tracklayer, the dog may not indicate or pick-up the article. Should the dog change from the actual track onto the cross-track and follow the cross-track for approximately 25 paces, the tracking work is to be terminated.

**Evaluation:**

The maximum score of 100 points may only be awarded if the dog has shown a convincing tracking performance from beginning to end and has indicated or picked-up all four articles. The dog must work out all corners confidently. The dog may not get distracted by the cross-track. 5 points are deducted for each article that is not found. Picking-up in conjunction with indicating the article is faulty. 4 points are deducted for articles that are falsely indicated/picked-up.

If the handler prevents his dog from leaving the track, the judge will instruct the handler to follow his dog. The tracking work is terminated if the dog leaves the track by more than one line-length or, if tracking off-leash, by more than 10 meters. The tracking work is also terminated if the handler does not comply with the judge's instruction to follow his dog.

**5. Awarding the title "Tracking Dog, level 1" (FH1)**

The FH1 title may only be awarded if the dog has scored at least 70 points.

The ratings are:

Maximum points	Excellent (V)	Very Good (SG)	Good (G)	Satisfactory (B)	Insufficient (M)
100 points	96 – 100	90 – 95	80 – 89	70 – 79	0 – 69

**Level 2 - FH2**

Maximum points 100	Verbal command "Such"/"Seek"
Staying on the track	80 points
7 articles (6 x 3, 1 x 2)	20 points

**1. General provisions**

It must be pointed out that the FH2 title is also a type of examination that is completed for the most part by sport dogs. Special demands, which may stem from the service dog sector, are not to be made.

It is an absolute necessity that the tracklayer is a responsible person who has received prior special training.

Since the judge is not able to walk along in most cases, due to the type of examination, the tracklayer must draw a diagram of the track. It is also the tracklayer's responsibility that the cross-track is laid according to regulation 30 minutes before the dog is put on the track.

**2. Entry requirements**

The dog must be at least 20 months old and must have passed the FH1 examination.

**3. Performance requirements**

The dog must prove his tracking ability by working out a track that is at least 1,800 paces long, has aged for a minimum of 3 hours and is laid by a stranger. The track includes 7 corners that conform to the terrain. At least two of the seven corners must be acute angles and one of them must be an arc (semicircle). The track is

intersected at least two times by a cross-track, which is fresher than the actual track and is also put in by a stranger. The points where the cross track intersects the main track may not be too close to each other.

Seven articles are placed at irregular intervals on the track. The articles must be adequately scented with the tracklayer's scent. (The size of the articles may not exceed 10cm in length, 2-3cm in width and 0.5-1cm in thickness.) So called "Suchpäckchen" (scent packs) are not permitted. All articles are to be marked with numbers. The numbers on the articles must coincide with the numbers on the starting flags (markers). The dog must find the articles and pick them up or indicate them.

Prior to the start of the exercise, the handler must inform the judge whether the dog indicates or picks-up the articles. It is faulty if the dog shows both options, in other words, picking-up in conjunction with indicating the article is faulty. Points are only given for articles that are pointed out in the manner that was announced to the judge when the handler reported in (indicated or picked-up).

It is the handler's decision to track the dog on a tracking leash or off leash. It is permissible for the tracking leash to have some slack in it, as long as the handler keeps the leash in his hand.

#### **4. Laying of the track**

The tracklayer, who is a stranger to the dog, must draw a diagram of the track for the judge. The layout of the track must be discussed with the judge or the tracking coordinator, using trees, electricity pylons, buildings, etc. as orientation points.

Prior to laying the track, the tracklayer shows the articles to the judge/tracking coordinator. The tracklayer must have carried the articles with him for at least 30 minutes so that they are adequately scented. The articles may not exceed the size limit and their color may not stand out considerably from the terrain.

The starting point (scent pad) is located inside an area that is 20m x 20m in size. Only the tracklayer is permitted to step inside this area. It must be avoided that a third person enters this area. The tracklayer places two marking stakes in the ground, 20 meters apart. The starting line is located in-between these two markers. The tracklayer moves out either directly from the starting line or from either one of the two markers to deposit an identification article. The identification article marks the actual starting point of the track. The identification article is of the same size and make as the articles used on the track. No points are given for the identification article.

The tracklayer stands still for a brief moment after placing the identification article. The track is laid at a normal pace.

The articles are to be placed on the track at irregular intervals. The first article must be placed at least 250 paces from the start. The seventh (last article) is placed at the end of the track. It is not permissible to place articles at corners or in the close vicinity of corners. Articles should not be placed next to the track but directly on the track. The tracklayer must mark the location of each article with an "X" on the diagram.

The track must be laid in such a fashion that it reflects realistic conditions. Any type of pattern must be avoided.

30 minutes before the dog is put on the track, a second person (also a stranger to the dog) is instructed by the tracklayer to put in a cross-track. The cross-track must cut across the main track at least two times (not across the first or last leg).

#### **5. Working out the track**

The judge informs the handler where the starting line is located, which was marked by the tracklayer. The starting line does not necessarily indicate in which direction the track goes. From the identification article the track may go to the right, left or even at an angle. It is important that the first leg of the track does not cross the starting line.

The handler may choose whether the dog performs the search for the identification article on leash or off leash. The time allotted for the dog to locate the identification article and begin working out the track is limited to three minutes. The handler decides from which point of the starting line he starts his dog to search for the

identification article. The handler may not cross the starting line until the dog has reached the end of the 10m tracking line or (if tracking off lead) the dog has moved 10m away from the handler. The handler is allowed to encourage his dog through verbal or visual commands to find the identification article.

Has the dog picked-up the track beyond the identification article, and starts to work out the track confidently, the handler must follow his dog. In this case, the handler must continue to track the same way he started (free or on the tracking line). If the dog indicates the identification article, the handler walks over to his dog and puts the dog from there on the track. If necessary, the handler may attach a tracking line to the dog's collar or tracking harness.

The dog must be given the opportunity to fully pick-up the scent at the start. The dog must be trained in such a way that he takes up the scent calmly and without influence from the handler. Under no circumstances may the handler use his hand and encourage the dog to charge forward. A restart is not permitted.

As soon as the dog starts to work out the track, the handler stands still and lets the 10m long tracking line run through his hand. The tracking line, which is attached to either the collar or the tracking harness, may be placed over the dog's back, on the side or between the fore and/or hindquarters of the dog.

The track is to be worked out calmly so that the handler is able to follow his dog at a walking pace. The handler must follow his dog at a distance of 10m. The same distance must be maintained when tracking off leash. As soon as the dog reaches an article, the dog must immediately and confidently pick-up or indicate the article. The dog may stand, sit or return to the handler when picking-up an article. If the dog brings the article to the handler, the handler is not permitted to walk toward his dog. Moving forward with the article is faulty. The dog can indicate the article by sitting, downing or standing. It is permitted to alternate.

The handler must then immediately walk to his dog. After raising the hand with the article, he puts the article in his pocket. The handler praises the dog and continues to track. Should the dog come across an article that was not placed on the track by the tracklayer, the dog may not indicate or pick-up the article. Should the dog change from the primary track onto the cross-track and follow the cross-track for more than one line-length, the tracking work is to be terminated.

The judge may offer the handler his assistance, if the dog cannot handle severe difficulties in the layout of the terrain (such as large water puddles, ditches, etc.) No points are deducted for this.

Upon consulting the judge, the handler is permitted to interrupt the tracking work briefly if he believes that he or his dog need a break on grounds of physical or weather conditions (e.g. extreme heat). No points are deducted for this. The restart after the break is not scored as a "restart", as defined in the trial regulations. The time taken for breaks is deducted from the total time allotted to work out the track. The handler is allowed to clean the dog's head, eyes and nose during the break or at an article. For this purpose, the handler may carry a moist cloth or sponge with him during the tracking work. These items must be shown to the judge prior to the start. Any additional aid is not permitted.

The handler must refrain from giving the dog any type of physical help (e.g. jerking on the leash) or any clear verbal help (additional commands to track). This may lead to termination.

The maximum score of 100 points may only be awarded if the dog has shown a convincing tracking performance from beginning to end and has indicated or picked-up all seven articles. The dog must work out all corners confidently. The dog may not be distracted by the cross-track. 3 points are deducted for each article that is not found. 2 points are deducted if the last article is not found. Picking-up in conjunction with indicating an article is faulty. 1.5 points are deducted for articles that are falsely indicated/picked-up.

If the handler prevents his dog from leaving the track, the judge will instruct the handler to follow his dog. The tracking work is terminated if the dog leaves the track by more than one line-length or, if tracking off leash, by more than 10 meters. The tracking work is also terminated if the handler does not comply with the judge's instruction to follow the dog.

**6. Awarding the title “Tracking Dog, level 2” (FH2)**

The FH2 title may only be awarded if the dog has scored at least 70 points.

The ratings are:

Maximum points	Excellent (V)	Very Good (SG)	Good (G)	Satisfactory (B)	Insufficient (M)
100	96-100	90-95	80-89	70-79	0-69

## **VI. RESCUE DOG – SUITABILITY TEST (RTP)**

### **General provisions**

The employment and therefore, the training of rescue dogs are incorporated in the civilian population protection program (disaster control). Experience has shown that in the event of a disaster, but also in the event of less serious incidences, the chance of locating missing or buried persons is far greater if well-trained dogs are employed. Victims are located more accurately and more quickly than before.

Locating a person quickly and accurately, without wasting precious time, increases the chance of finding the person alive. For this reason, the organizations that are involved in the field of civilian population protection/disaster control have established a program to train rescue dogs and to maintain a rescue dog squad.

The GSDCA-WDA has made it their objective to nominate handlers and dogs that are qualified to undergo the rescue dog examination, so that these dogs and handlers can be employed in the event of a disaster. In order to find suitable dogs, the AZG established the “Rescue Dog Suitability Test”, which has been in effect since May 1, 1958.

Since these rules have been in effect for over twenty years, it was necessary to revise the regulations to bring them up to the latest level of knowledge regarding the use of rescue dogs.

Eligible to participate are dogs of all breeds as long as they are capable of undergoing this type of examination, based on their physical characteristics and their nature. The dogs must possess a sound temperament as well as a good nose. In order to proof their physical aptitude, the dogs must pass a Stamina Examination. The dog must be at least 15 months old and must have successfully completed a VDH-BH Test (Begleithund Test).

The examination is successfully completed if the dog passes not only the Stamina Examination but also receives a minimum of 70% of the total score in the phases “tracking under distraction” and “obedience under distraction”.

The awarded title is not a recognized title for show or breeding purposes.

The examination is divided into:

1. Stamina Examination
2. Tracking under distraction
3. Obedience under distraction

If the dog does not score at least 70% of the total points in phase 2 as well as in Phase 3, the dog does not pass the test and is excluded from the remainder of the examination.

A total score is not given. Also, no scores are given for the performances in phase 2 and 3. A rating of either “pass” or “fail” is awarded.

### **1. Stamina Examination**

Trotting over a distance of 10 km (6.25 mi.) for approximately 70 minutes. The dog may not show any physical problems or exhaustion.

How the examination is conducted in detail is left up to the discretion of the AZG member club or organization. The dog must pass the Stamina Examination in order to proceed to the next examination level. As proof of a passing rating, a certificate must be issued to dogs that have passed the Stamina Examination. This certificate must be presented in order to proceed to the next level of the Rescue Dog Suitability Test.

If a dog has already passed an Endurance Test (AD) that was conducted in compliance with AZG-MV regulations, then the Endurance Test (AD) replaces the Stamina Examination.

### **2. Tracking under distraction**

Maximum points 100; verbal command: “Such”/“Seek”

The dog must work out a track that is approximately 600-700 paces long and was laid by a stranger to the dog. The track must age for a minimum of 30 minutes and includes 2 articles. The dog is tracking on a 10 meter (33') long tracking line.

Two corners are incorporated in the track. The corners may describe an acute or an obtuse angle. The track does not follow a set pattern. The legs do not have to be straight but should adjust to the layout of the terrain or the vegetation. The judge determines the pattern of the track, taking the layout of the terrain as well as the vegetation into consideration. The starting point (scent pad) must be clearly marked and adequately scented. The tracklayer remains for a moment on the scent pad and then proceeds in the direction prescribed by the judge. He places the first article approximately in the middle of the second leg, without changing his pace. The second article is placed at the end of the track. The tracklayer proceeds to walk straight ahead for a few more paces and stays clear of the track when walking back.

Shortly before the dog is set on the track (approximately 5 minutes prior) a fire, which is generating a great amount of smoke\*, is ignited at a distance of approximately 50 paces to the side of the scent pad. The smoke is supposed to blow across the track. The fire must be far enough away from the track, so that the heat from the fire is not unbearable for the dog. If the dog shows fear of the fire, even though the heat is bearable, the dog cannot pass the examination. The handler may track his dog on a 10 m tracking line or off-leash. Both options are rated the same.

\*Regions and clubs that are conducting a Rescue Dog Suitability Test must obtain permission from the local authorities to ignite a fire that puts out heavy smoke.

### **Performance regulations**

The tracklayer must show the tracking articles to the judge prior to laying the track. Only by the tracklayer adequately scented articles, which are basic commodities, may be used. The articles may not exceed the size of a wallet and their color may not stand out considerably from the terrain. So called "Suchpaeckchen" (Scent parcels) are not permitted in trials. However, wallets, spectacle cases, etc. may be used. Handler and dog must be out of sight while the track is laid. The tracking scent is not to be altered when placing an article on the track, if possible; the tracklayer may not shuffle his feet or come to a stop. The articles must be placed directly on the track and not next to the track.

Meanwhile, the handler prepares his dog for tracking. When called, handler and dog will report to the judge. The handler will advise the judge whether his dog will pick-up or indicate the articles. Picking-up in conjunction with indicating the article is faulty. On a signal from the judge, the dog is taken slowly and calmly to the scent pad and is put on the track. Any compulsion must be avoided prior to tracking, at the start and during the entire tracking work. When the dog is put on the track, the dog must be given ample time to pick-up the scent. Anything that could trigger the dog's desire to charge forward must be avoided. The dog must take up the scent calmly and with a deep nose. As soon as the dog has begun to work out the track, the handler stands still and lets the tracking line glide through his hand. He follows the dog at a distance of 10 meters. A distance of 10 meters must also be maintained if tracking off-leash.

The tracking line may have some slack in it as long as the handler keeps it in his hand.

As soon as the dog reaches an article, the dog must immediately pick-up or indicate it in a convincing manner, without any influence from the handler. The dog is permitted to sit, stand or return to the handler when picking-up an article. Moving forward with the article or picking-up the article while lying down is faulty. Indicating of the article may be done standing, sitting or lying down. The handler puts down the tracking line and immediately walks over to his dog. By holding the article up in the air, the handler shows that the dog has found the article. Then the handler proceeds to track. After the track is completed, the handler must show the articles that were found to the judge.

### **Evaluation**

A faulty start, lingering, frequent circling at the corners, repeated encouragement, faulty picking-up or indicating of the articles, dropping of the article leads to a point deduction of up to 4 points. Restarts, extreme

lingering, tracking with a generally high nose, rapid tracking, urination/defecation, catching mice, etc. leads to a point deduction of up to 8 points.

For each article that is falsely indicated or picked-up 4 points are deducted. For each article that is not found 10 points are deducted.

Overshooting a corner is not faulty, since the scent may be carried past the corner depending on the direction and intensity of the wind.

### **3. Obedience under distraction**

Free-heeling: 15 points; Verbal command: "Fuss"/"Heel"

Out of the basic position the dog must follow the handler happily.

The exercise starts on a signal from the judge. Turns and changes of pace are also performed on a signal from the judge.

The exercise is to be performed extensively at a normal, a slow and a running pace. Two right turns, left turns and about turns must be shown at all three paces. The verbal command "fuss"/"heel" is only permitted when starting from the basic position and when changing pace. A halt is not performed in contrast to the SchH/VPG examinations.

The dog's shoulder must be aligned with the handler's left knee at all times. The dog may not forge, lag behind or heel wide. Forging, lagging, heeling wide as well as hesitation at turns is faulty.

During the exercise up to 3 gunshots are fired from a distance of approximately 10 meters (33'). The dog must show himself indifferent to the gunshots. Is the dog gunshy, the dog is immediately expelled from the examination. If the dog shows aggression upon hearing the gunshots, this is only faulty to some extent, as long as the handler still has control over the dog. Full points can only be awarded to a dog that shows himself indifferent to the gunshots. Loud distractive noises, for example dropping a metal barrel or a wooden plank, are made throughout the exercise. The dog must show himself indifferent to the distractive noises as well. If the dog reacts to the noises in a skittish manner, the dog is expelled from the examination. If the dog shows aggression, this is only faulty to some extent, as long as the handler still has control over the dog.

The insensitivity toward gunshots and loud noises is a very important factor.

**Heeling through a group** 10 points; verbal command: "Fuss"/"Heel"

After the free-heeling exercise is completed, the handler must walk through a group of at least five moving persons with his free-heeling dog. The handler must walk through the group several times. The exercise must be performed extensively. The dog must show himself indifferent to the people.

Shows the dog aggression toward the gesticulating persons in the group, this is only faulty to some extent. The judge must make certain that the handler has control over his dog.

If the dog shows timid and shy behavior, the dog is expelled from the rest of the examination.

**Obstacles** 5 points

Upon completion of the group exercise, handler and dog must climb over three obstacles. The obstacles are 30cm – 40cm (11 ¾" - 15 ¾") high and must be distinctly different from each other.

Disobedience of the dog (e.g. the dog refuses to climb over the obstacle or leaves the handler) is faulty.

This is followed by an exercise where the dog must walk across a wooden plank, which is approximately 4.5 meters (14' 9") long and 40 cm (15 ¾") wide. The plank is covered with small pieces of gravel and is elevated approximately 40 cm (15 ¾") of the ground, by means of support blocks so that the plank bows slightly under the dog's weight. The dog must walk over the entire plank without showing fear. If the dog should jump off the

plank, the exercise may be repeated one time. If the dog does not reach the end of the plank on the second attempt, 0 points are given for this exercise.

**Long down** 10 points; Verbal command: “Platz”/”Down”

After exercise # 4 is completed, the dog is put in a long down. For the long down the dog is put in a spot 30 – 40 meters away from the group that is assembling for the next dog. The handler remains in the dog’s sight. The handler must be part of the moving group for the next dog. The handler may pick-up his dog upon a signal from the judge, but not before the dog that is currently being worked has completed the obstacles (exercise # 3).

If only one dog is shown, the judge has to improvise accordingly.

If the dog sits or stands but remains in the designated location for the long down, this is faulty. If the dog leaves his position before the other dog has completed exercise # 3, 0 points are given for this exercise.

**Indifference** 10 points

It is extremely important that the dog displays indifference toward distractive noises (gunshots or other loud noises) throughout the entire obedience phase. Therefore, the dog’s indifference must be evaluated throughout all of the exercises. Only a dog that shows total indifference can receive full points. If the dog shows a slight reaction toward the distractive noises, partial points are given.

**Overall evaluation of the UOL (obedience performance)**

Free-heeling	Group	Obstacles	Wooden plank	Long down	Indifference	Total points
15 points	10 points	5 points	10 points	10 points	10 points	60 points

**VII. RANDOM ARTICLE SEARCH 1 – 3 (StP 1-3)**

In their meeting of March 7, 2003 the AZG decided to conduct Random Article Search Trials, level 1-3 as a pilot project under the jurisdiction of the VDH. At this time, the Random Article Search does **not** replace phase “A” of the SchH/VPG examinations.

The awarded title is not a working title that is recognized for show, breeding and breed survey purposes.

**1. Examination levels of the Random Article Search**

The requirements for each level are different and are similar to the corresponding SchH/VPG trial level.

Trial level	Size of the search area	Articles	Points	Allotted time
1	20m x 30m	Belong to the handler, 2 / 10 x 3 x 1 Material: same materials permitted 1 article left, 1 article right	10/10	10 minutes
2	20m x 40m	Belong to a stranger to the dog, 4 / 10 x 3 x 1 Material: different materials 2 articles left, 2 articles right	5/5/5/5	12 minutes
3	30m x 50m	Belong to a stranger to the dog, 5 / 5 x 3 x 1 Material: different materials Articles are placed at random	4/4/4/4/4	15 minutes

## **2. General provisions**

The dog must be at least 15 months old and must have successfully completed the VDH-BH/VT Examination (Begleithund).

The handler reports to the judge in a sportsmanlike manner, by giving the judge his name as well as the dog's name. Thereafter, he walks with the dog to the designated starting position and attains the basic position. The dog is on leash.

In order to perform the article search, the leash is taken off. However, the handler must carry the leash with him.

The handler must abstain from using any compulsion or force.

Slightly crossing over the boundaries of the search area is not faulty.

Spectators must maintain an appropriate distance to the search area.

## **3. Type of terrain for the search work**

Ground: All types of natural surfaces (pasture (grass), dirt, forest floors). Tree population is permissible. (It must be avoided that the dog uses his eyes. Therefore, short grass or similar surfaces should not be used.)

Before the articles are placed or thrown onto the search area, several people are to walk crosswise over the search area to make sure there are no tracks that lead to the articles.

The boundaries of the search area may not be visually marked.

## **4. Articles**

Materials: Wood, leather, imitation leather, fabric

The shape and color of the articles may not stand out distinctly from the terrain. The articles may not be visibly placed in the search area.

The judge puts the articles onto the search area.

Handler and dog must be out of sight when the articles are placed onto the search area.

It is not necessary that the articles are placed in the search area ahead of time. As soon as the articles are put out, the dog can start with the search.

## **5. Starting the search**

The judge shows the handler the borders of the search area and shows him where the imaginary centerline is located.

At the start, the handler is permitted to condition the dog briefly on the imaginary centerline.

The handler moves along the imaginary centerline. He is only permitted to leave the centerline briefly to retrieve an article that was indicated by the dog. Thereafter, the dog is started again from the centerline. Verbal and visual commands are permitted. The verbal command "verloren"/"lost" may be replaced with the command "such"/"seek".

Searching with a "high nose" is not faulty.

It is permitted to go over (search) the search area several times.

## **6. Behavior at the articles**

The dog must indicate the articles convincingly. The dog may not touch the articles. The dog must indicate the articles by lying down.

It is not permitted to give a verbal command at the articles to down the dog. When the dog is indicating an article, the handler walks to the dog and holds the article in the air to show it to the judge. Thereafter, the handler walks back to the imaginary centerline and restarts the dog from there for the continuance of the search.

There is no regulation regarding the direction in which the dog must down at the article. However, the indicated article must be located in the immediate vicinity of the dog's front paws.

The handler must always approach his dog from the side when the dog is in the down position. He may never position himself in front of the dog. Brief praising of the dog is permitted after the article was held up in the air.

After the dog has located the last article, the dog is put on leash. Thereafter, the articles that were found are shown to the judge and the handler reports out.

## 7. Evaluation

Maximum points awarded for the Random Article Search 1-3 are 100 points each.

A minimum of 70 points must be reached for a passing score.

Evaluation criteria for all three-examination levels:

- a) Control over the dog  
(Following the verbal/visual commands given by the handler) 20 points
- b) Search intensity of the dog  
(Motivation to take-up the scent intensely) 20 points
- c) Endurance  
(Preserving the search drive until the article is found) 20 points
- d) Conduct of the handler  
(Influence of the handler on the dog) 20 points
- e) Finding  
(Indicating the articles convincingly) 20 points

Maximum points	Excellent (V)	Very Good (SG)	Good (G)	Satisfactory (B)	Insufficient (M)
100 points	96 – 100	90 - 95	80 - 89	70 - 79	0 - 69

## 8. Performance regulations

The exercise starts from the basic position, which is attained at the edge of the search area. The exercise ends when the handler reports out. The articles that the dog found must be shown to the judge.

Positive criteria:

Uniform, calm and continuous work. The dog leaves the handler quickly. The dog responds to commands immediately. Enduring and goal oriented work of the dog. Far-reaching side-sweeps of the dog.

Faulty is:

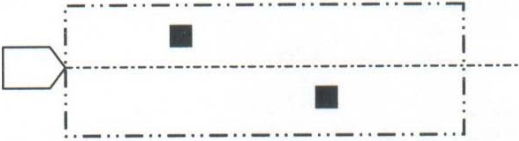
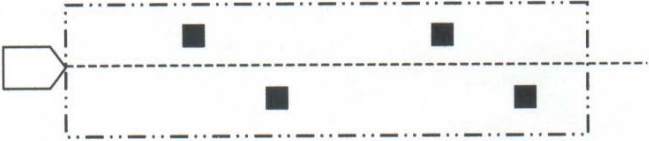

The dog picks-up the article. No points are given for articles that are indicated after the dog receives strong handler-help.

Touching of the article	Deduction of 1 –3 points
Premature standing up, inadmissible commands	Deduction of 1 - 3 points
The handler leaves the imaginary centerline	Deduction of 2 – 5 points
Catching mice, urination/defecation, etc.	Deduction of 4 – 8 points
Listless working attitude of the dog	Deduction of 4 – 8 points

The search work is terminated if the allotted time has run out. Points are given for the performance shown up to the point of termination.

Other negative criteria:

Restless behavior when indicating an article, barking, inadmissible handler-help, the dog moves far outside the boundaries of the search area.

	<p><b>Level 1</b> Size of search area 20x30 m</p>
	<p><b>Level 2</b> Size of search area 20x40 m</p>
	<p><b>Level 3</b> Size of search area 30x50 m</p>

## VII. TRIAL REGULATIONS FOR WATCH DOGS (WH)

### General regulations

Dogs of all breeds and sizes are permitted to participate.

The dog must be at least 15 months of age and must have successfully completed a BH (Begleithund) Examination.

No score is given at the end of the examination. The judge simply announces a “pass” or “fail” rating. In order to pass the examination the dog must earn at least 70% of the total points. The earned title is not a working title that is recognized for breeding, show and exhibition purposes in accordance with the guidelines of AZG membership organizations. The use of a visible protection- sleeve or a protection-jacket is not permitted for this type of examination. However, clothing that visibly stands out is permitted. Precautions for the helper’s safety during the pursuit of the helper must be taken.

### Testing procedure

1. Heeling on leash 15 points
2. Free-heeling 15 points
3. Sit and stay (sit out of motion) 10 points
4. Down with recall 10 points

The above referenced exercises are performed in the same manner as described in the Companion Dog Examination with Temperament Test (BH).

### 5. Retrieving an object 15 points

Just like in exercise #4, the handler walks approximately 30 paces away from his dog and deposits a small object. After the handler has returned to the dog, the handler gives the dog one verbal command “bring”/“fetch” and the dog must retrieve the object quickly and happily.

### 6. Long down under distraction 10 points

The exercise is performed the same as in the SchH/VPG1 examination. Objects up to the size of a briefcase may be left with the dog. The dog on the down is picked-up by the handler, after the dog on the field has completed exercise #5. A partial score is only given if the dog remains in the down position from the time exercise #1 starts until exercise #3 is completed.

### 7. Devotion to the handler 10 points

The dog is put on leash and handed to another person. The handler walks over to a group of people, about 80 paces away. The dog is allowed to watch the departure of his handler for approximately 30 paces. Then a sight barrier (a wall or something similar) is put in front of the dog so that the dog can no longer see his handler.

When the handler arrives at the group, he takes up position in the center of the group. The handler is not allowed to get the dog’s attention. Then the person that is holding the dog takes off the dog’s leash. The behavior of the dog, especially the use of the nose, is to be observed. When the dog has found his handler, the handler must praise the dog.

### 8. Guarding of possessions 15 points

The handler downs his dog in an open area designated by the judge. A chain is attached to the dog’s collar. The chain may not be tight (stretched out). The dog may sit, down or stand. With the command “pass auf”/“watch”, the handler deposits a larger object (briefcase, suitcase, skirt, etc.). Then the handler walks approximately 20 paces away from the dog and stands still, always remaining in the dog’s sight. (Small objects that the dog can take in his mouth and bicycles are not permitted). Then the judge or some other person walks past the dog twice, at a distance of approximately 5 meters. The dog must stay calmly with the article and may not show aggression.

Thereafter, an attempt is made to take the object away from the dog. If the dog reacts in a threatening manner, the exercise is successfully completed.

A threatening manner is for example growling, barking or gripping. There should be no agitation of the dog. The general behavior of the dog is important. Therefore, it is not permitted to circle around the dog or use a stick. If the attempt to take the object away is terminated, the person that is conducting the test moves out of the dog's sight. The dog must stay with the object in order to make a new attempt to defend it. After a pause of approximately 30 seconds, the handler picks-up his dog upon a signal from the judge.

**9. Testing the dog for watchfulness 100 points**

**a) Attentiveness inside a courtyard or clubhouse 30 points**

The exercise takes place in a specially prepared "courtyard" (if possible with a doghouse). The area is fenced-in and must have minimum dimensions of 7m × 7m. (23' × 23') As an alternative the clubhouse may be used as location for this exercise.

The dog is running free inside the courtyard (clubhouse). The dog must attentively watch any person that approaches the fence (clubhouse). The dog must emphasize his alertness by barking.

**b) Finding the helper and performing a hold and bark 40 points**

As soon as the dog has made himself noticeable, the helper runs away. Now the handler enters the fenced area (clubhouse) and holds the dog firmly. The Helper continuous to flee and takes cover in a secure hiding place. As soon as the helper has taken cover, the dog is released. The dog must immediately approach the helper's hiding place (the helper may be in or out of the dog's sight) and perform a hold and bark.

**c) Attentiveness while on the running wire 30 points**

The dog is put on a chain, which is attached to an approximately 15m (49') long running wire. At one end of the running wire a person agitates the dog. The dog must show aggression. Hereafter, the first agitator moves out of the dog's sight. Now, a second person steps up to the opposite side of the running wire and likewise agitates the dog. Again, the dog must be alert and show aggression. After the second person has also moved out of the dog's sight, the exercise is completed and the dog is picked-up.

## **VIII. TRIAL REGULATIONS FOR THE ENDURANCE TEST - AD (Ausdauerprüfung)**

The Endurance Test (AD) is not a recognized training degree for breeding or show purposes.

### **A. General provisions:**

#### **1. Purpose**

The AD provides documentation that the dog is physically able to endure a certain amount of physical stress without showing significant signs of fatigue. Given the physical structure of the dog, only through running exercises can the required amount of strain be inflicted on the dog. As we know, running makes special demands on the inner organs, especially the heart and the lungs as well as the rest of the body. Other characteristics such as spirit and hardiness must be present as well. The effortless completion of the performance must be accepted as proof of physical health and the presence of the desired characteristics. Both are prerequisites for using a dog for breeding.

#### **2. General Regulations** (Page 1 of the Trial Regulations)

#### **3. Entry Requirements that must be followed**

Prior to the examination, an identity check (checking of the tattoo or microchip number) must be performed on all dogs that are registered in the breed book of AKC, the VDH or another FCI Working Dog Breed Club (this means dogs with recognized AKC or VDH/FCI registration papers).

Titles are only recognized if obtained through a WUSV, an AZG affiliated, or an FCI recognized working dog association or recognized breed club for working dogs.

#### **4. Entry**

The AD is to be hosted by a local club. The Office of the GSDCA-WDA must be notified in writing of the date of the event, at least 10 days prior to the examination (date received at the main office is relevant). Applications received later are rejected without exception. The application must comply with the same formal requirements as necessary for SchH/VPG trials, etc.

Performance documents and score sheets must be ordered from the GSDCA-WDA.

By submitting their paperwork, the local club agrees that during the summer months the event is only held during the early morning or late afternoon hours. The outside temperatures may not exceed 22 degrees Celsius (approximately 72 degrees Fahrenheit) or 24 degrees Celsius (approximately 75 degrees Fahrenheit) with judge approval. Entry into the AD must be made at least seven days prior to the test in writing and must be submitted to the event chairperson/secretary.

Entry fees collected should not be higher than what is necessary to cover the expenses of conducting the AD test. The official GSDCA-WDA entry form must be used for the AD.

Participation in the AD is voluntary. If during the course of the test, the dog or the handler is physically injured, neither GSDCA-WDA nor the hosting club will be held responsible.

#### **5. Entry requirements for dogs**

The minimum age is 16 months, the maximum age 6 years. A maximum of twenty dogs may be judged per day per judge. If over twenty dogs are entered, a second judge must be commissioned. For safety reasons only one dog per handler is allowed.

All dogs must be registered in an AKC or FCI recognized Breed Book or Performance Register. The dogs must be completely healthy and in good training condition. Sick, not adequately strong dogs, females in heat, pregnant or nursing females are not allowed to participate.

At the start of the test, when called, the handler will report to the officiating judge in a sportsmanlike manner with the dog in the basic position, by giving the judge his name as well as the dog's name. The scorebook must

be presented as well. The judge and the trial secretary of the hosting club must verify that each dog is in good condition. Dogs that look tired or make a listless impression must be excluded from participating. The handler must conduct himself in a sportsmanlike manner throughout the event. Willful offenses against the regulations can result in disqualification from the examination. In any case, the decision is made by the judge and is incontestable.

## **6. Scoring**

No points or grades are awarded, only the rating “pass” or “fail”. Only dogs that receive a “pass” will receive the AD title.

## **7. Terrain**

The test should be conducted on streets or roads of possibly various surfaces, such as asphalted, paved or unpaved streets or roads.

### **B. Conducting the Endurance Test**

The dogs must run a total of 20 kilometers (approximately 12.5 miles) at an average speed of 12 to 15 kilometers per hour (approximately 7.7 to 9.5 miles per hour).

#### **The Running Exercise**

The dog must be kept on leash and move in a normal trot next to the bicycle. Overly fast running is to be avoided. The leash must be adequately long to give the dog the ability to adjust to any changes in speed. Devices used to attach the dog to the bike (“Springer”) are permitted. Slight pulling on the leash (forging) is not faulty, however, continuous falling behind (lagging) of the dog is faulty. Upon the completion of 8 kilometers (5 miles), a 15-minute-long break is taken. During this rest period, the judge must examine the dogs for signs of fatigue. Tired dogs must be excused from the remainder of the test.

After the break, 7 more kilometers (approximately 4 ½ miles) must be completed and a 20-minute break is taken. During this break, the dogs must be given the opportunity to move about freely and relaxed but must be kept on leash. Shortly before the rest period is over, the judge must examine the dogs once more for signs of fatigue and sore paws. Overly tired dogs or dogs whose paws are sore must be excused from the remainder of the test.

Following the break the remainder of the 20km distance must be completed.

Upon completion of the running exercise, a 15-minute break is taken. During this break, the dogs must be given the opportunity to move about freely and relaxed but should be kept on leash. Again, the judge will examine the dogs for signs of fatigue and sore paws. The judge and the trial chairperson/secretary should accompany the dogs, if possible, on a bicycle or follow in a car. The judge will make notes about the condition of the dogs and all deficiencies. It is necessary that a car follows the handlers and the dogs so that dogs that show they are not able to cope with the strain can be transported by car.

Dogs that show more than normal signs of fatigue, that cannot keep up the required speed of 12 km/h and need significantly more time, cannot pass the examination.

#### **Please Note!**

The Trial Chairperson /Secretary must pick the meeting place (point of departure) so that all participants have approximately the same distance to travel, if possible. This is done so that no additional strain is inflicted on dogs that have a longer distance to cover. On their way, the handlers must give their dogs adequate opportunity to relieve themselves. It is strictly prohibited to conduct so called “breakfast breaks” with the consumption of alcoholic beverages during the test.